

## **AR10 / AR15**

HANDGUARD WITH INTEGRATED BIPOD  
OWNER'S MANUAL

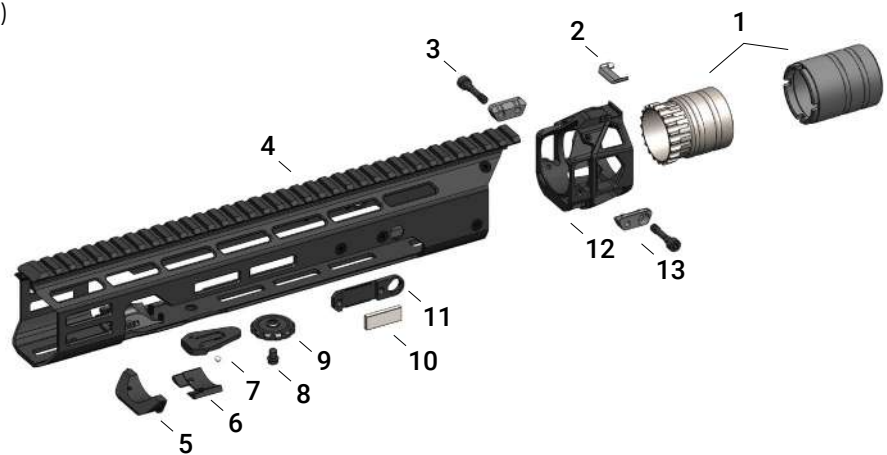
# SPECIFICATIONS

Thank you for your purchase of the BLK LBL Bipod™.

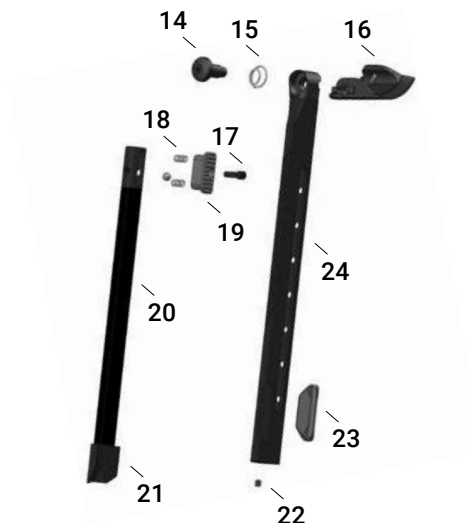
With improved accuracy, lightweight construction, added stability and an expanded range of motion, the BLK LBL™ Bipod is the new pinnacle of bipod technology. Whether you're in law enforcement, the armed forces, a sport shooter or hunting in the great outdoors, this bipod gives you exactly what you're looking for; improved performance.

## MAJOR PARTS (REPLACABLE)

1. AR10, AR15 barrel nut
2. Anti rotation tab
3. Barrel nut wedge screw
4. Handguard frame
5. Forward cup
6. Rear cup
7. Tension plate
8. Tension wheel screw
9. Tension wheel
10. Magnet
11. Magnet retainer
12. Barrel nut clamp
13. Barrel nut wedge



14. Leg joint screw
15. Leg joint spring
16. Bipod cradle
17. Leg button screw
18. Leg button spring
19. Leg button
20. Inner bipod leg
21. Rubber foot
22. Set screw
23. Magnet bar tab
24. Outer bipod leg



# INSTALLATION

---

The BLK LBL bipod should be installed by a qualified gunsmith

**WARNING!**

1. Reference the NSSF rules of firearms safety <https://www.nssf.org/safety/rules-firearms-safety/>
2. Keep the muzzle of the gun pointed in a safe direction at all times and confirm the gun is unloaded.
3. Remove the existing handguard, gas block, gas tube and barrel nut if applicable. There are multiple resources online that detail the proper removal of each component depending on your specific setup.
4. Remove the barrel nut from the BLK LBL Bipod by loosening the barrel nut wedge screws three full turns. The barrel nut wedge screws and barrel nut wedges do not need to be completely removed.
5. Install the BLK LBL barrel nut supplied and torque to 35-50 lb ft (48-68 Nm).
6. Re-install the gas block and gas tube.
7. Center the barrel nut wedges in the barrel nut clamp. Slide the BLK LBL bipod over the end of the barrel and onto the barrel nut. Align the top rail on the BLK LBL bipod with the rail on the upper receiver.
8. Torque the barrel nut clamp screws to 25 inch-pound (3 Nm).
9. Confirm the BLK LBL bipod is free floating and does not touch the barrel or gas block.

# HOW TO USE

---

**TO ENGAGE THE BIPOD:**

Push the MAGNET BAR TAB on the side of the HANDGUARD FRAME down and away from the handguard until the leg is at 90 degrees and locks into place. Repeat with the other side.

**TO STOW THE BIPOD:**

With your thumb on LEG JOINT SCREW and your hand around the OUTER LEG push down with your thumb while pulling out with your hand. Pull the OUTER LEG outward on the LEG JOINT SCREW until it clears the lock and folds easily to the rear. Stow the legs one at a time to allow the pivot mechanism to align with the handguard. If you have difficulty aligning the legs with the handguard when stowing the legs, loosen the tension mechanism as detailed below.

**ADJUST TENSION:**

The TENSION WHEEL is located behind the bipod pivot. Rotate the TENSION WHEEL to the right to increase tension and to the left to decrease tension.

**LEG EXTENSION:**

Press down the LEG BUTTON on the inside of each leg and move downwards until the approximate desired height is reached, release button and continue moving until leg button clicks into its locked position.

**CAUTION** - When the bipod legs are extended the barrel of the rifle is exposed in the area where the legs are stowed when folded. DO NOT place your hands, or any other body part, on or near the rifle barrel or burns could result.

# MAINTENANCE

---

## PROTECTION

Built with anodized and nitrided parts, the BLK LBL Bipod can withstand most environmental conditions. However only proper care can keep your bipod in good operating condition and maintain it's appearance.

## CLEANING

Clean as you would your rifle. Never use corrosive cleaning products as these can severely damage the aluminum.

# WARRANTY

---

We want our customers to be happy so our lifetime warranty is simple; if your BLK LBL bipod is defective or ever fails due to quality or workmanship just return it to us and we will fix it or replace it. Obviously we cannot cover negligent or abusive use of our product, but if you happen to drive over it with your truck or drop it off a cliff, send it to us and we will do our best to fix it for a reasonable cost. Our warranty, of course, only covers the BLK LBL bipod and not any accessories mounted to it nor the firearm to which it is mounted.

Please direct all warranty claims to [info@blklblbipod.com](mailto:info@blklblbipod.com)