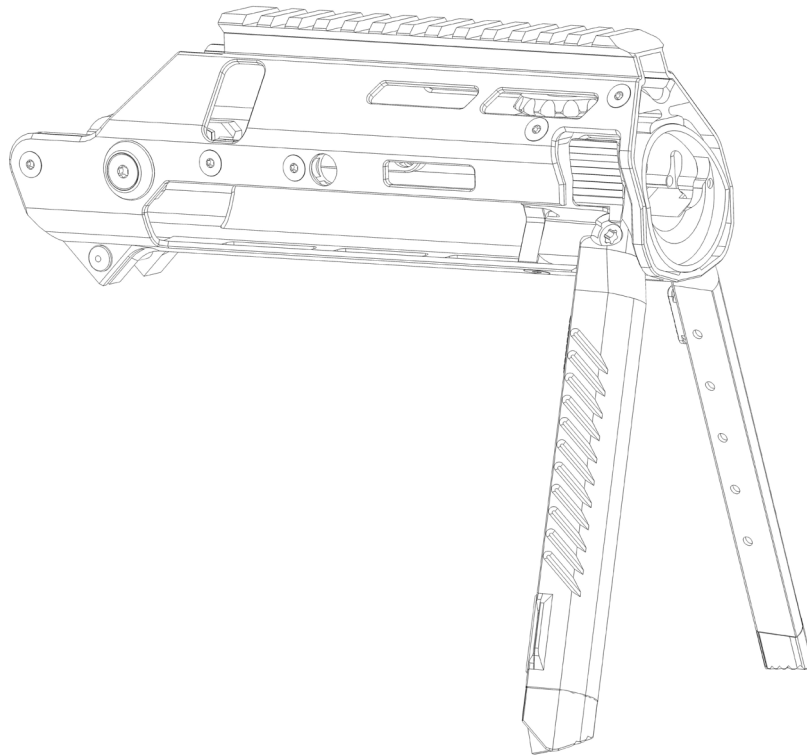


BLK LBL

— BIPOD

MDRX

HANDGUARD W INTEGRATED BIPOD
OWNER'S MANUAL



MADE IN COLLABORATION W

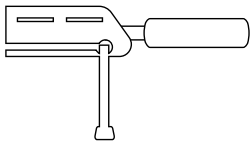


DESERTTECH
◀ TOMORROWS WEAPONS ▶

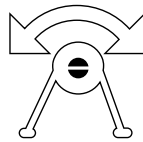
Welcome to the BLK LBL crew and congratulations on your purchase of the best bipod solution for the Desert Tech MDRX.

SPECIFICATIONS

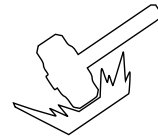
INTEGRATED DESIGN



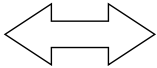
Suppressor
Compatible



Center Bore
Cant



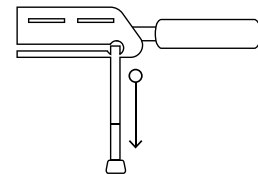
Durable
Construction



Compatible
MDR & MDRX



Lightweight



Extendable Legs

Technical Specifications

Weight: 464g/16.4 oz

Length: 227mm/8.96in

Width: 49mm/1.9in

Height: 73mm/2.9in

Range of Motion

Cant: 40 Degrees

Leg Length: 150mm/6"-225mm/9"

HOW TO USE

To engage the bipod:

Pull the feet of the bipod legs outwards from the bottom of the handguard one at a time.

To stow away the bipod:

Push in the top of the ball button. This will unlock the leg. Completely fold in one leg at a time to properly align the ring. See Figure 1.

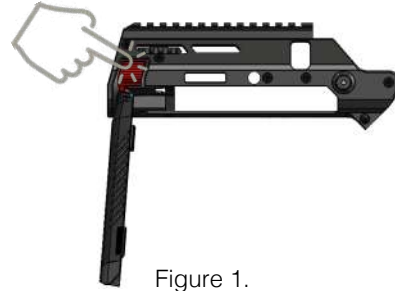


Figure 1.

Adjust Tension:

The tensioning wheel allows you to adjust the sensitivity of the cant motion. Turn the wheel clockwise or counter-clockwise to adjust tension. See Figure 2 & 3.



Figure 2.

Leg extension:

Press down the button on the inside of each leg and move downwards until the approximate desired height is reached, release button and continue pulling until the leg button clicks into its locked position. See Figure 4.



Figure 3.

CAUTION - When the bipod legs are extended the barrel of the rifle is exposed in the area where the legs are stowed when folded. DO NOT place your hands, or any other body part, on or near the rifle barrel or burns could result.



Figure 4.

MAINTENANCE

PROTECTION

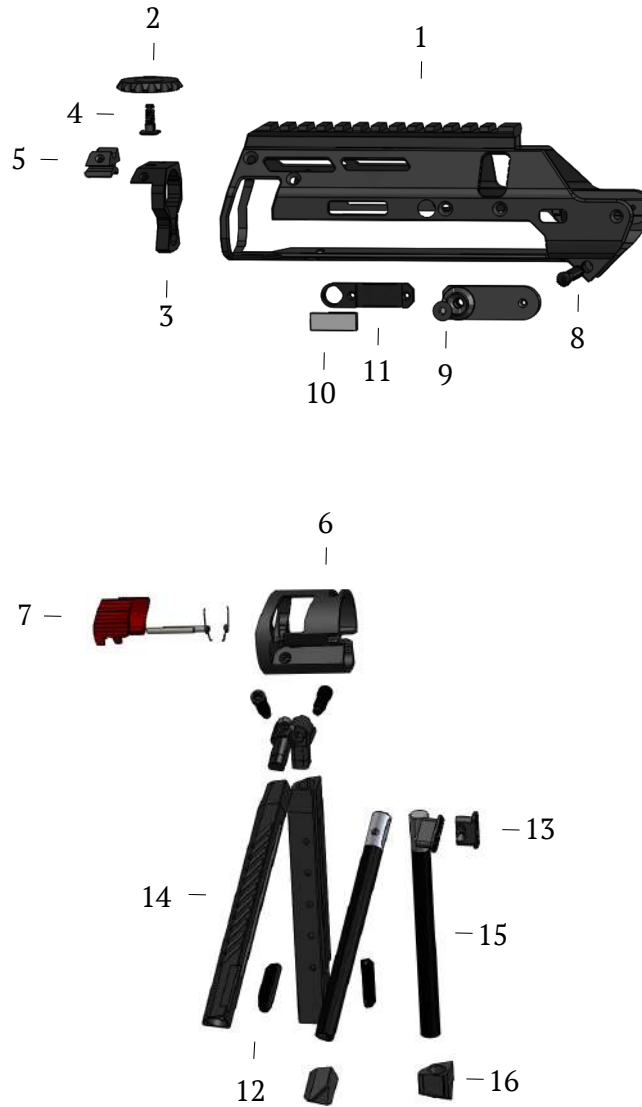
Built with anodized and nitrided parts, the BLK LBL Bipod can withstand most environmental conditions. However only proper care can keep your bipod in good operating condition and maintain its appearance.

CLEANING

Clean as you would your rifle. Never use corrosive cleaning products as these can severely damage the aluminum.

Major Parts (Replacable)

1. Handguard
2. Tension Wheel
3. Rear Brace
4. Brake Stud
5. Forward Brace
6. Ring
7. Ring Button
8. Take Down Pin
9. Mounting Screws
10. Magnet
11. Magnet Retainer
12. Magnet Bar
13. Leg Button
14. Outer Leg
15. Inner Leg
16. Rubber Feet



INSTALLATION

WARNING!

1. Treat the firearm as if it is loaded at all times. Keep the muzzle pointed in a safe direction. Confirm the firearm is unloaded.
2. Reference the NSSF rules of firearms safety at <https://www.nssf.org>
3. Remove the existing handguard using the instructions in the Desert Tech MDR/MDRX owners manual.
4. Install the BLK LBL MDRX Handguard on the MDR/MDRX rifle by sliding it over the barrel assembly, Desert Tech Logo end first, with the top rail at the 12 o'clock position
5. Push the captured handguard take down pin through from the left side to the right side of the MDR/MDRX receiver until it snaps in position, flush on each side.
6. Tighten the handguard retention screws with a torque wrench using a T25 driver to 30 in/lb.



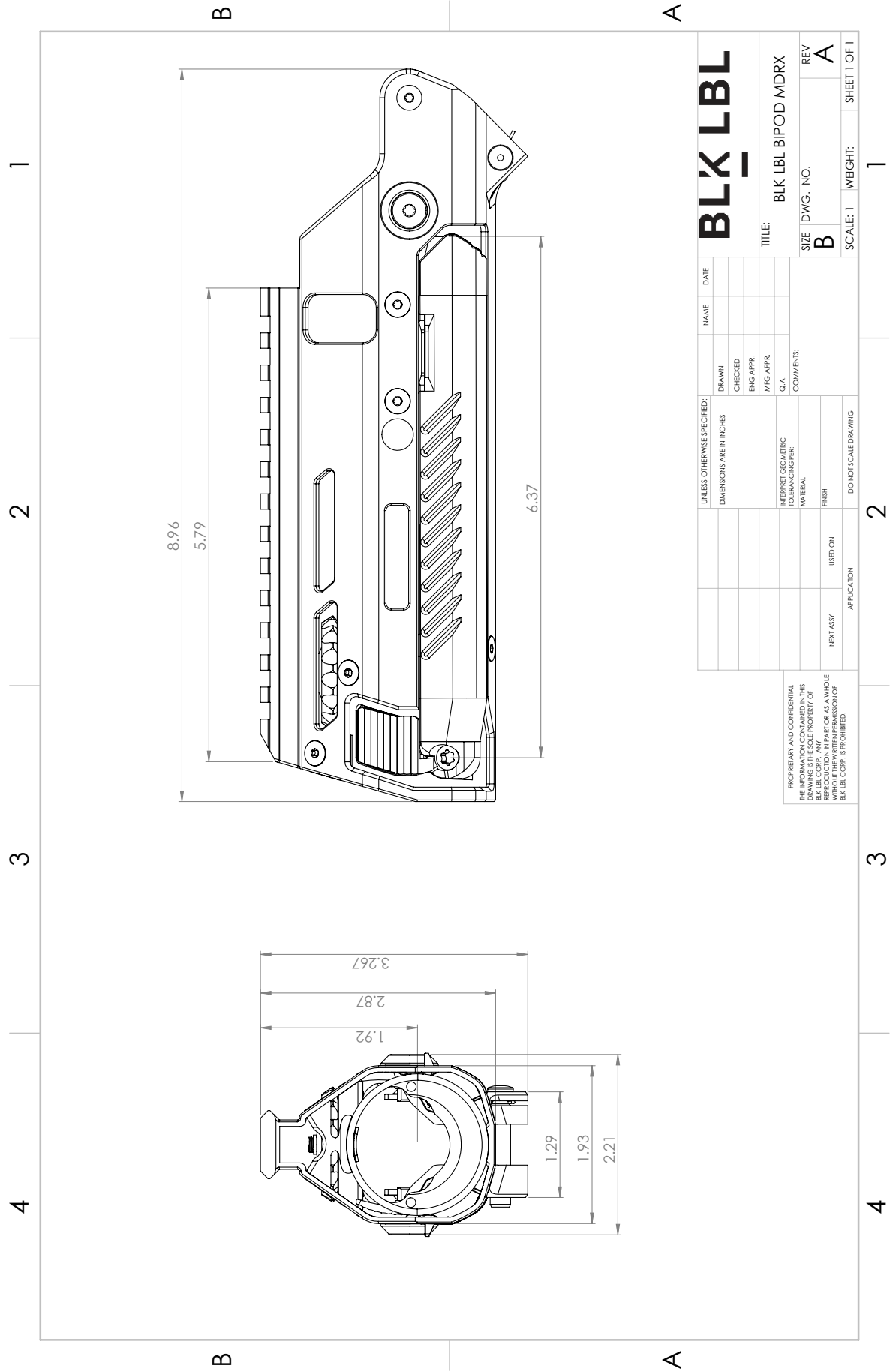
LIFETIME WARRANTY

We want our customers to be happy so our lifetime warranty is simple; if your BLK LBL bipod is defective or ever fails due to quality or workmanship just return it to us and we will fix it or replace it. Obviously we cannot cover negligent or abusive use of our product, but if you happen to drive over it with your truck or drop it off a cliff, send it to us and we will do our best to fix it for a reasonable cost. Our warranty, of course, only covers the BLK LBL bipod and not any accessories mounted to it nor the firearm to which it is mounted.

Please direct all warranty claims to info@blklblbipod.com

www.blklblbipod.com

CRITICAL DIMENSIONS



BLK LBL

TITLE: BLK LBL BIPOD MDRX

SIZE DWG. NO. REV
B A

SCALE: 1 WEIGHT: SHEET 1 OF 1

UNLESS OTHERWISE SPECIFIED:		NAME	DATE
DRAWN	CHECKED		
ENG. APPR.	MFG. APPR.		
DIMENSIONS ARE IN INCHES			
INTERPRET GEOMETRIC TOLERANCING FEE			
WAVELENGTH			
FINISH			
DO NOT SCALE DRAWING			

PROPRIETARY AND CONFIDENTIAL
 THIS DRAWING IS THE SOLE PROPERTY OF
 BLK LBL CORP. ANY REPRODUCTION OR
 DISSEMINATION OF THIS DRAWING
 WITHOUT THE WRITTEN PERMISSION OF
 BLK LBL CORP. IS PROHIBITED.

APPLICATION

NEXT ASY USED ON

1 2 3 4 1 2 3 4