

4

3

2

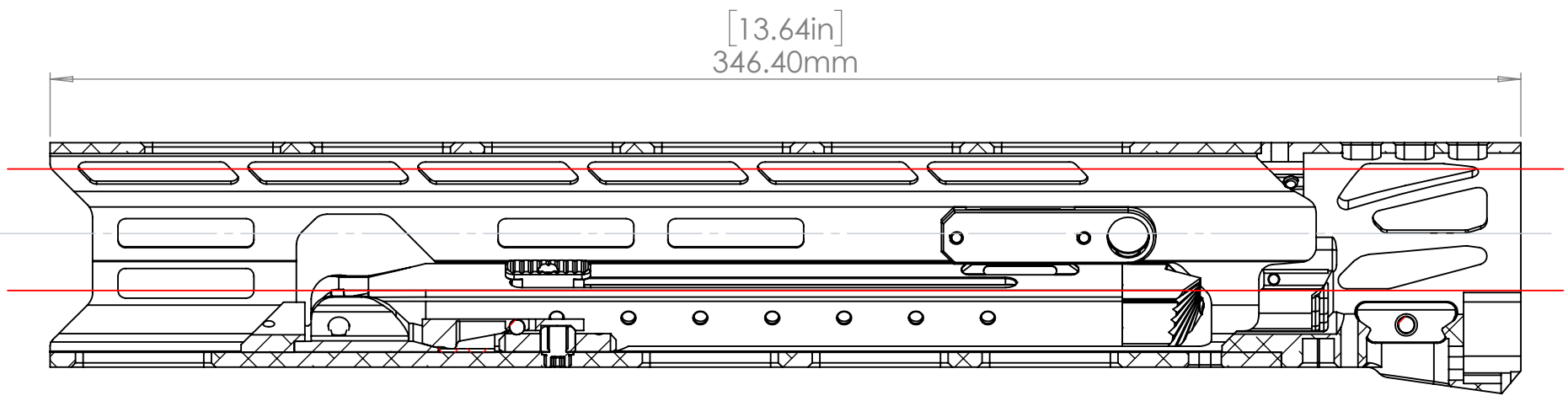
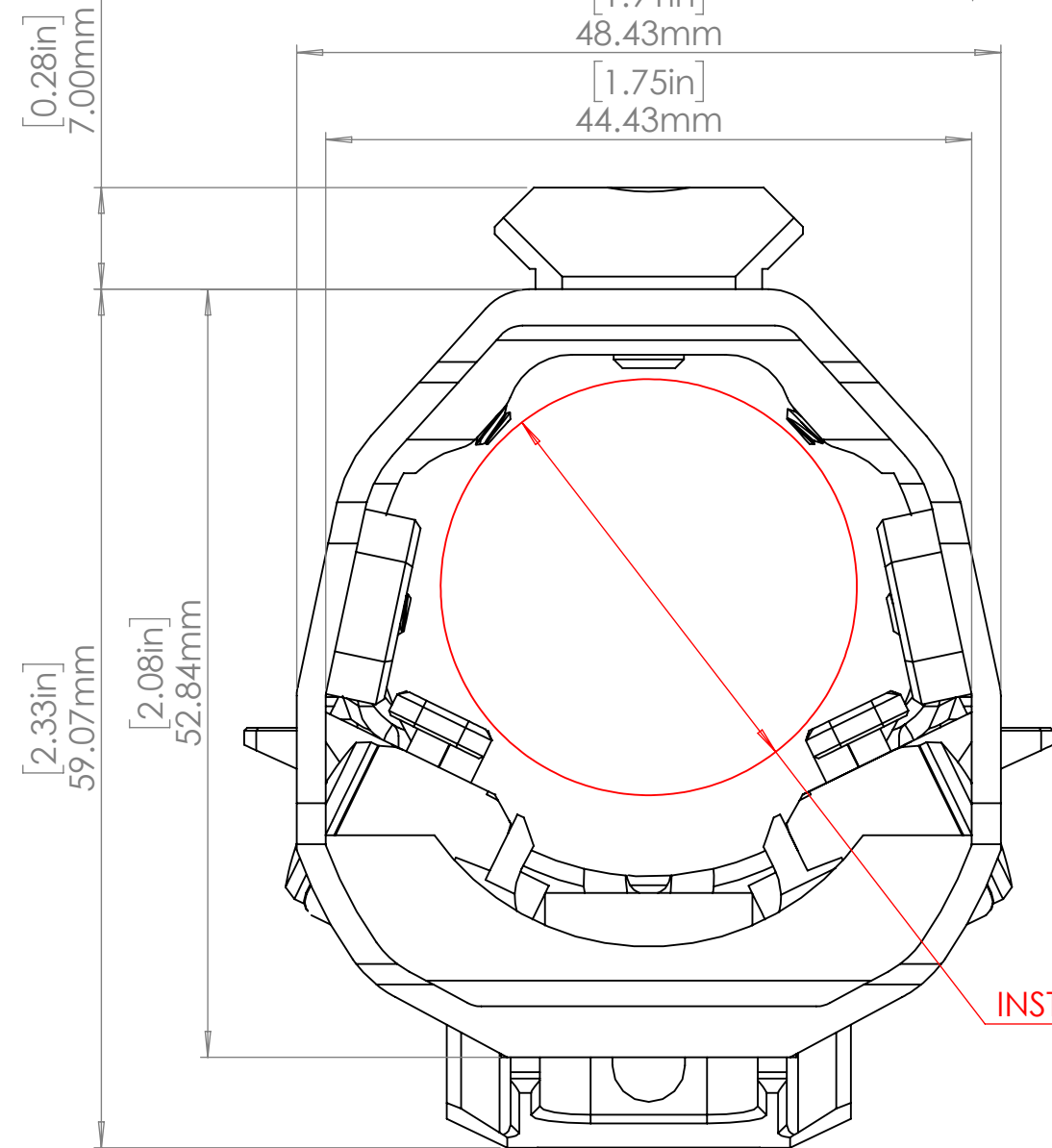
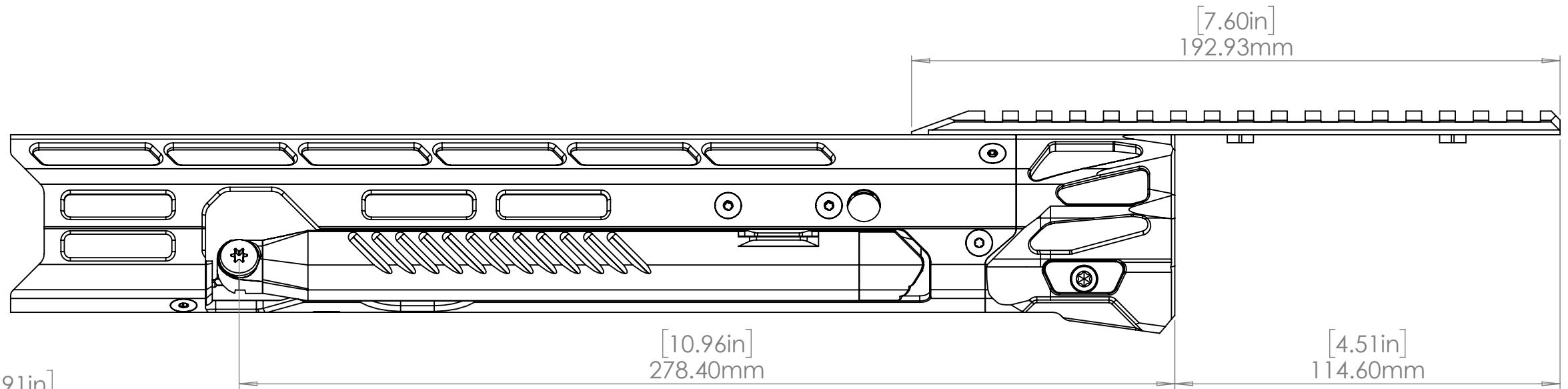
1

B

B

A

A



[1.13in max.]
 ϕ 28.62mm max.
 INSTALLATION CLEARANCE

PROPRIETARY AND CONFIDENTIAL
 THE INFORMATION CONTAINED IN THIS
 DRAWING IS THE SOLE PROPERTY OF
 BLK LBL CORP. ANY
 REPRODUCTION IN PART OR AS A WHOLE
 WITHOUT THE WRITTEN PERMISSION OF
 BLK LBL CORP. IS PROHIBITED.

		UNLESS OTHERWISE SPECIFIED:	NAME	DATE
		DIMENSIONS ARE IN MILLIMETERS	DRAWN	09/19/23
		TOLERANCES:	CHECKED	
		ANGULAR: \pm 0.1	ENG APPR.	
		LINEAR:	MFG APPR.	
		X \pm 0.1	Q.A.	
		X.X \pm 0.075	COMMENTS:	
		X.XX \pm 0.05		
		INTERPRET GEOMETRIC TOLERANCING PER:		
		MATERIAL		
NEXT ASSY	USED ON	FINISH		
		APPLICATION		
		DO NOT SCALE DRAWING		

Q THE FIX BIPOD

BLK LBL

TITLE:
OVERALL LENGTH AND
INSTALLATION CLEARANCE

SIZE DWG. NO. REV

SCALE: 2:3 542 GRAMS SHEET 1 OF 2

4

3

2

1

4

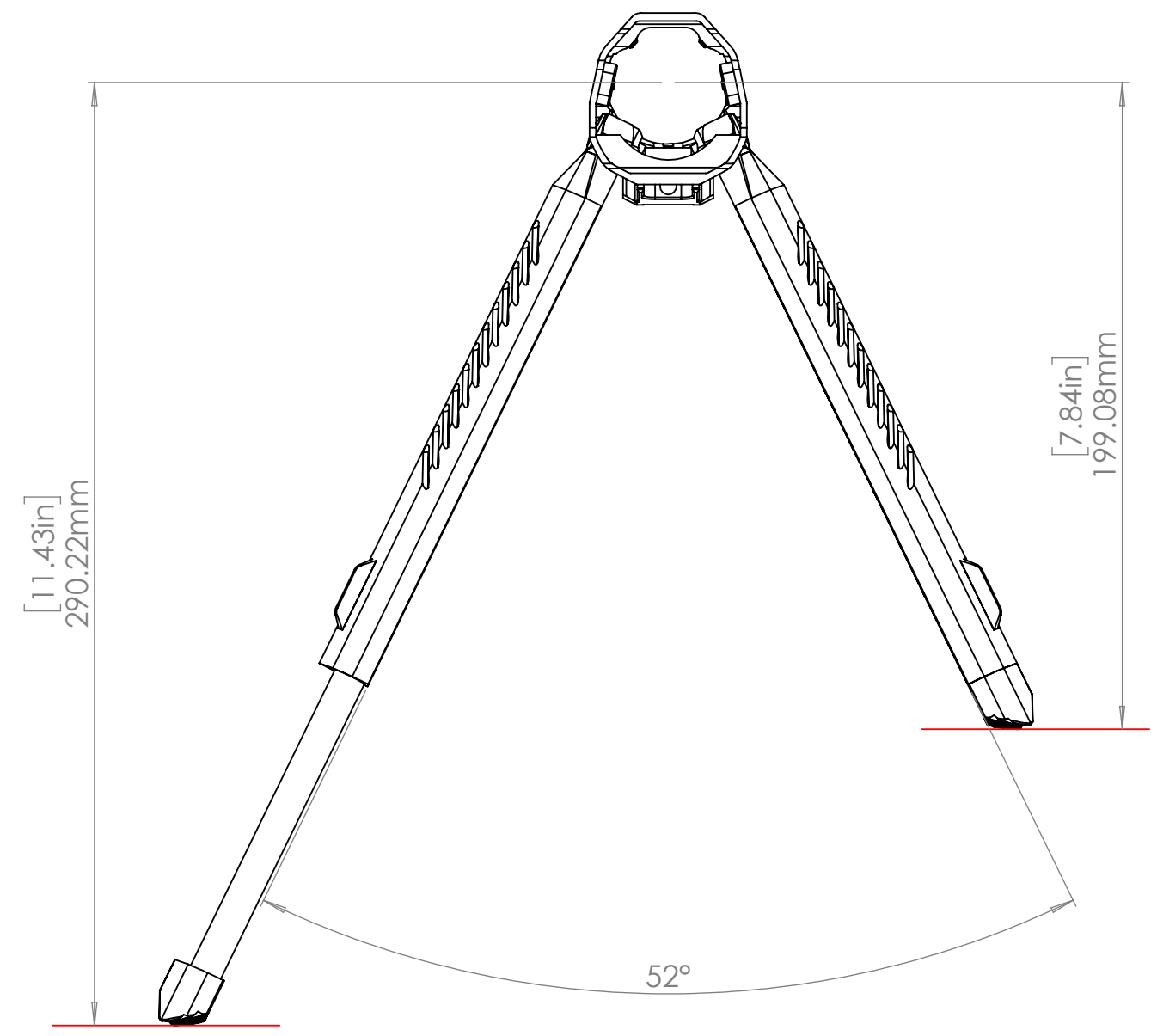
3

2

1

B

B



A

A

Q THE FIX BIPOD

PROPRIETARY AND CONFIDENTIAL
 THE INFORMATION CONTAINED IN THIS
 DRAWING IS THE SOLE PROPERTY OF
 BLK LBL CORP. ANY
 REPRODUCTION IN PART OR AS A WHOLE
 WITHOUT THE WRITTEN PERMISSION OF
 BLK LBL CORP. IS PROHIBITED.

		UNLESS OTHERWISE SPECIFIED:	NAME	DATE
		DIMENSIONS ARE IN MILLIMETERS	DRAWN	09/19/23
		TOLERANCES:	CHECKED	
		ANGULAR: ± 0.1	ENG APPR.	
		LINEAR:	MFG APPR.	
		X ±0.1	Q.A.	
		X.X ±0.075	COMMENTS:	
		X.XX ±0.05		
		INTERPRET GEOMETRIC		
		TOLERANCING PER:		
		MATERIAL		
		FINISH		
NEXT ASSY	USED ON			
APPLICATION		DO NOT SCALE DRAWING		

BLK LBL

TITLE:
 DEPLOYED LEG DIMENSIONS

SIZE DWG. NO. REV

SCALE: 1:2 542 GRAMS SHEET 2 OF 2

4

3

2

1