

4

3

2

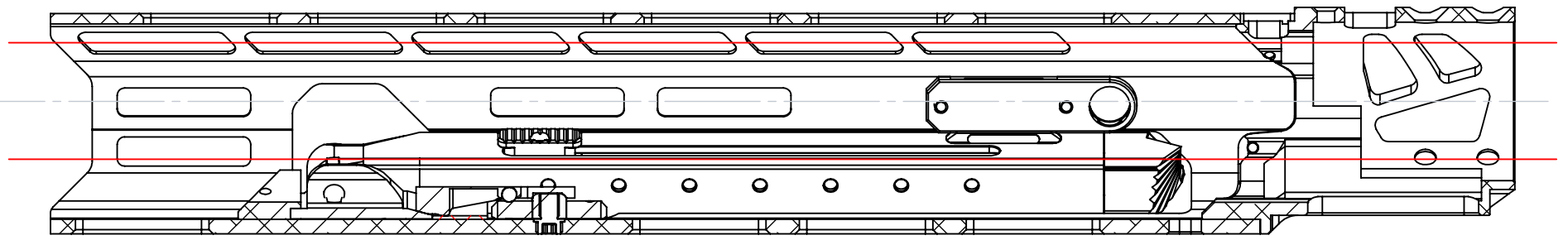
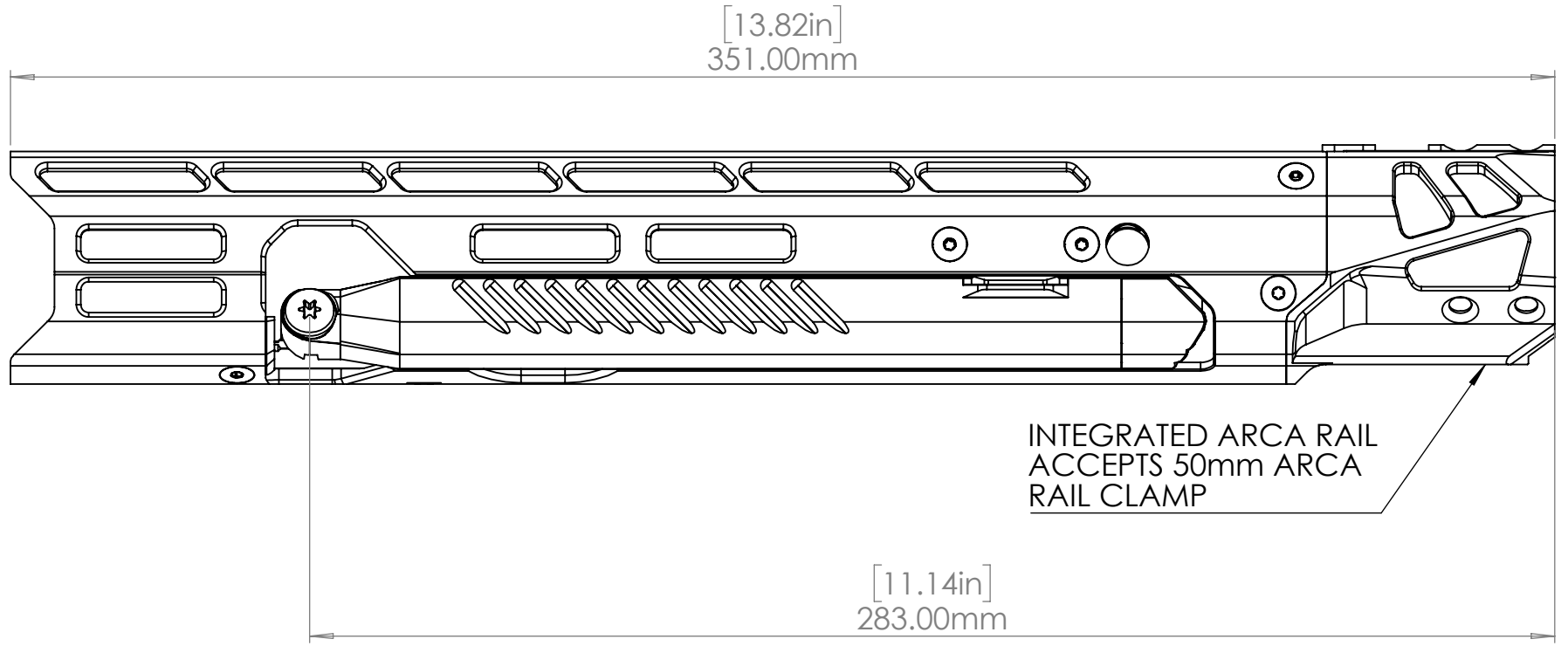
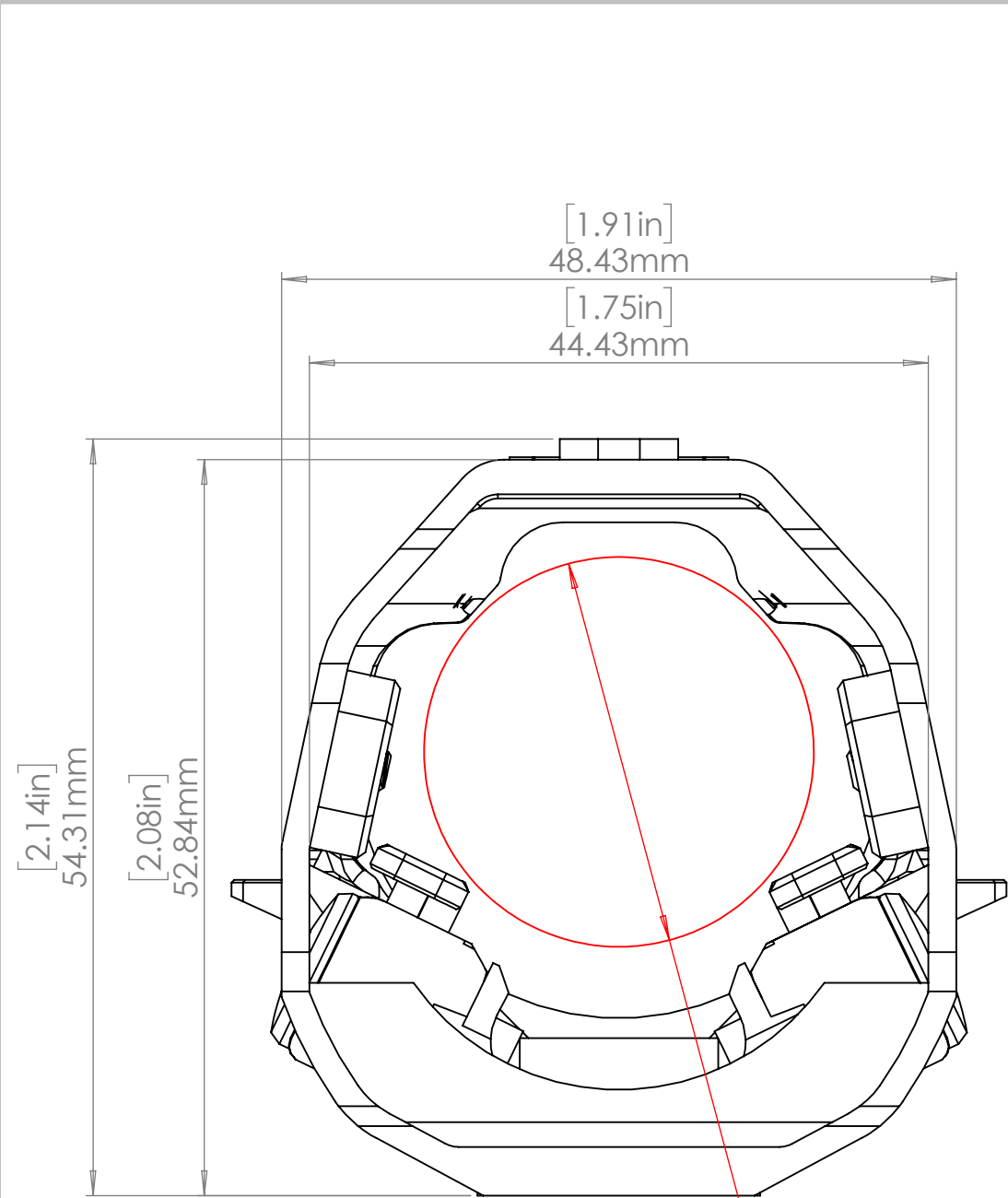
1

B

B

A

A



[1.10in]
 Ø27.97mm
 INSTALLATION CLEARANCE

SIG CROSS BIPOD

BLK LBL

TITLE: OVERALL LENGTH AND
 INSTALLATION CLEARANCE

SIZE DWG. NO. REV

SCALE: 2:3 491 GRAMS SHEET 1 OF 2

PROPRIETARY AND CONFIDENTIAL
 THE INFORMATION CONTAINED IN THIS
 DRAWING IS THE SOLE PROPERTY OF
 BLK LBL CORP. ANY
 REPRODUCTION IN PART OR AS A WHOLE
 WITHOUT THE WRITTEN PERMISSION OF
 BLK LBL CORP. IS PROHIBITED.

		UNLESS OTHERWISE SPECIFIED:	NAME	DATE
		DIMENSIONS ARE IN MILLIMETERS	DRAWN	09/19/23
		TOLERANCES:	CHECKED	
		ANGULAR: ± 0.1	ENG APPR.	
		LINEAR:	MFG APPR.	
		X ±0.1	Q.A.	
		X.X ±0.075	COMMENTS:	
		X.XX ±0.05		
		INTERPRET GEOMETRIC TOLERANCING PER:		
		MATERIAL		
		FINISH		
NEXT ASSY	USED ON			
APPLICATION		DO NOT SCALE DRAWING		

4

3

2

1

4

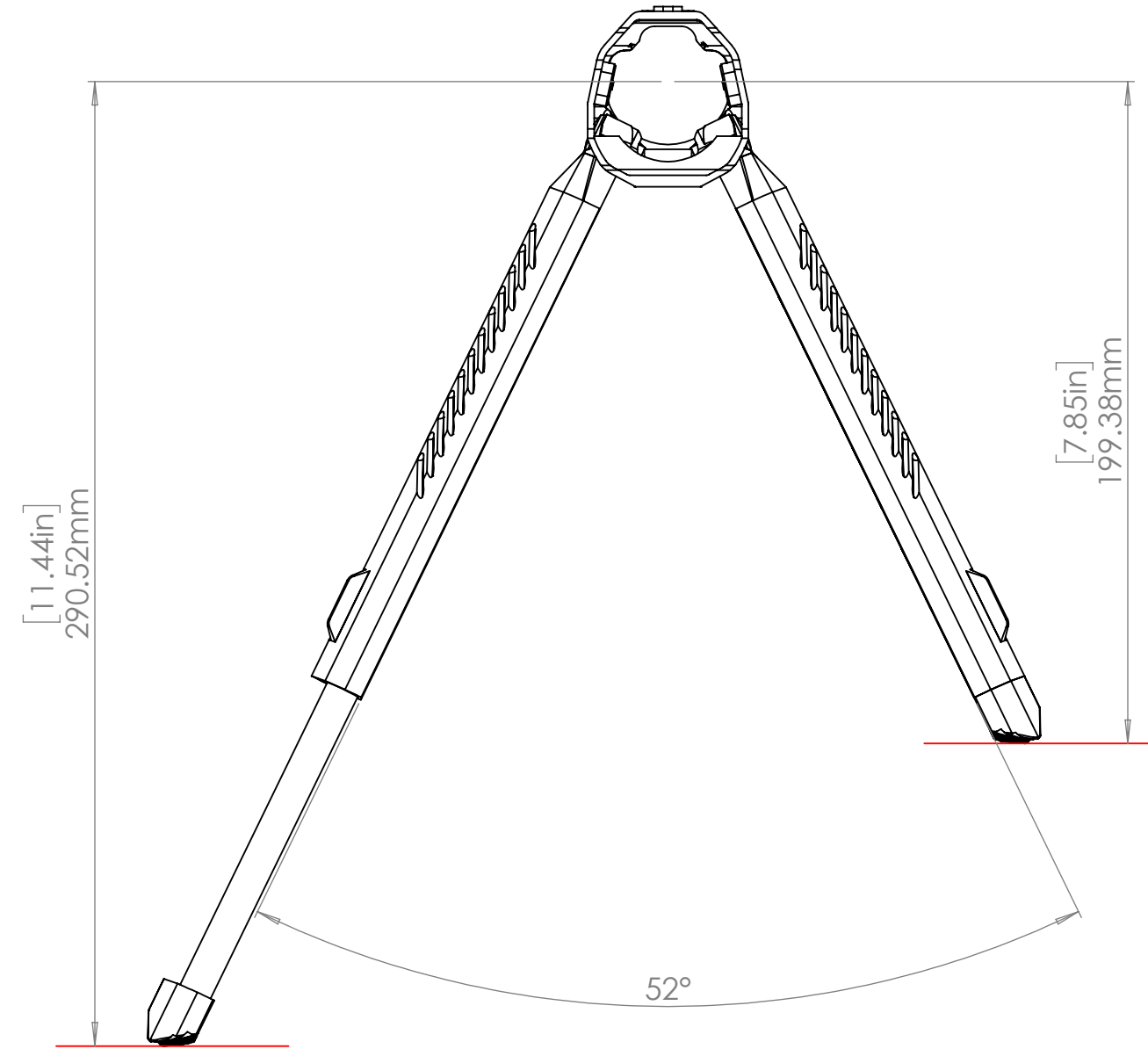
3

2

1

B

B



SIG CROSS BIPOD

BLK LBL

TITLE:
DEPLOYED LEG DIMENSIONS

SIZE	DWG. NO.	REV
------	----------	-----

SCALE: 1:2	491 GRAMS	SHEET 2 OF 2
------------	-----------	--------------

PROPRIETARY AND CONFIDENTIAL
THE INFORMATION CONTAINED IN THIS
DRAWING IS THE SOLE PROPERTY OF
BLK LBL CORP. ANY
REPRODUCTION IN PART OR AS A WHOLE
WITHOUT THE WRITTEN PERMISSION OF
BLK LBL CORP. IS PROHIBITED.

		UNLESS OTHERWISE SPECIFIED:	NAME	DATE
		DIMENSIONS ARE IN MILLIMETERS	DRAWN	09/19/23
		TOLERANCES:	CHECKED	
		ANGULAR: ± 0.1	ENG APPR.	
		LINEAR:	MFG APPR.	
		X ±0.1	Q.A.	
		X.X ±0.075	COMMENTS:	
		X.XX ±0.05		
		INTERPRET GEOMETRIC TOLERANCING PER:		
		MATERIAL		
		FINISH		
NEXT ASSY	USED ON			
APPLICATION		DO NOT SCALE DRAWING		

4

3

2

1

A

A