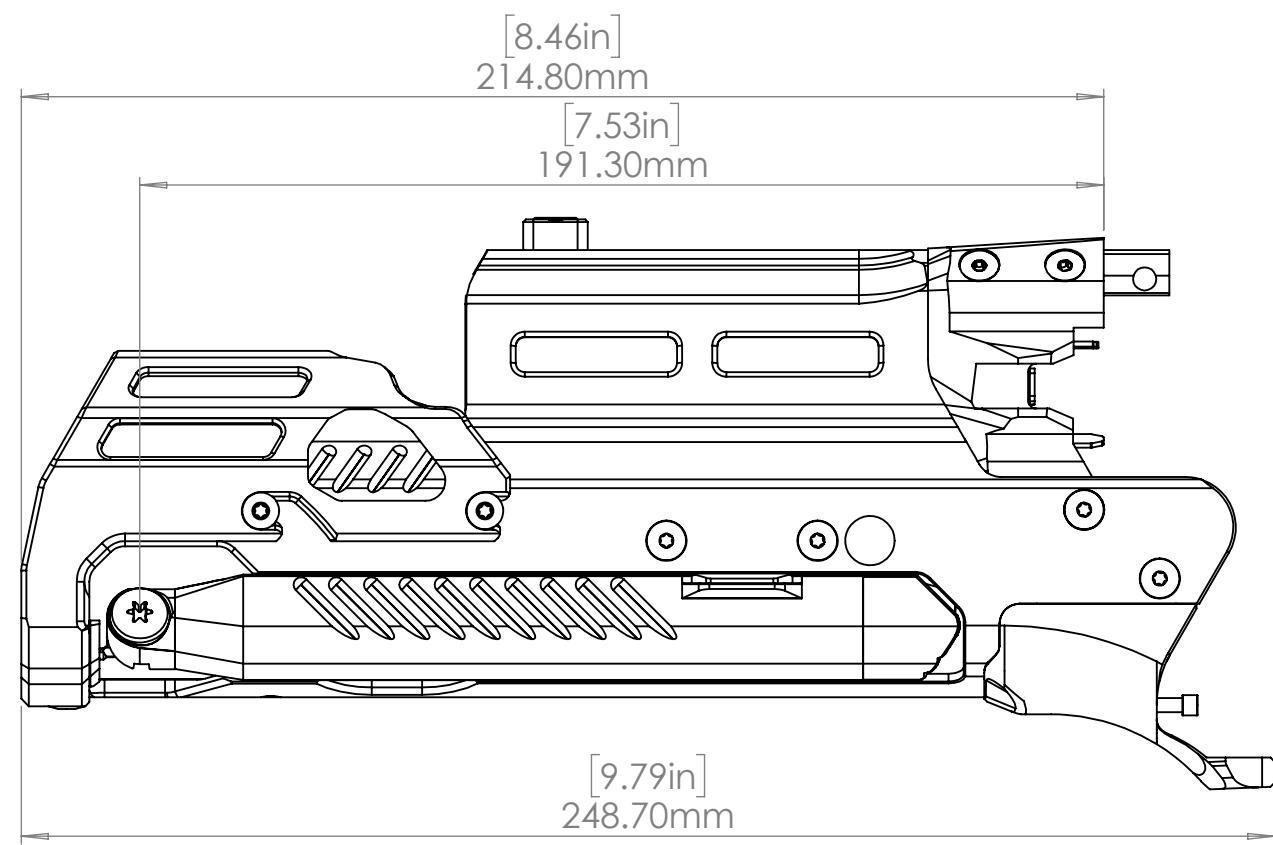
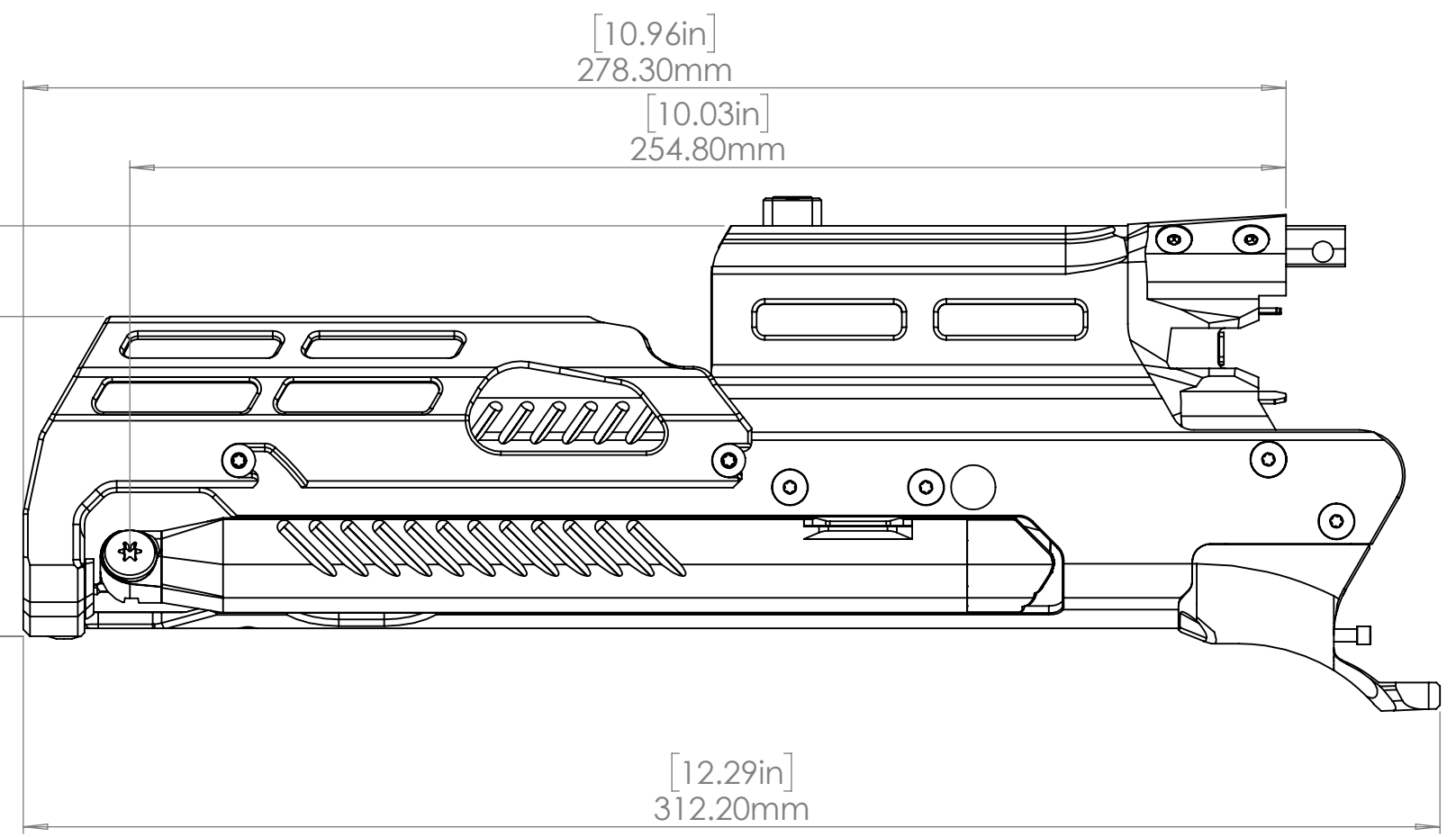
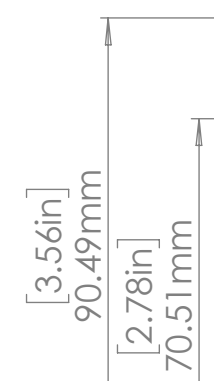
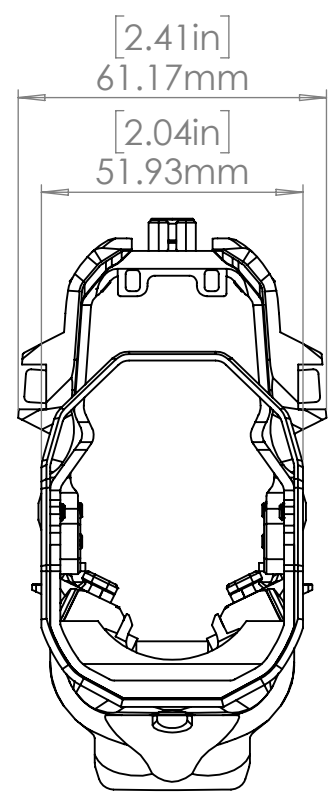


4

3

2

1



PRODUCT	MASS (g)
SHORT BIPOD	492
LONG BIPOD	572

PROPRIETARY AND CONFIDENTIAL
THE INFORMATION CONTAINED IN THIS
DRAWING IS THE SOLE PROPERTY OF
BLK LBL CORP. ANY
REPRODUCTION IN PART OR AS A WHOLE
WITHOUT THE WRITTEN PERMISSION OF
BLK LBL CORP. IS PROHIBITED.

UNLESS OTHERWISE SPECIFIED: DIMENSIONS ARE IN MILLIMETERS TOLERANCES: ANGULAR: ± 0.1 LINEAR: X ±0.1 X.X ±0.075 X.XX ±0.05		NAME	DATE	BLK LBL
DRAWN		02/27/24		
CHECKED				TITLE: OVERALL LENGTH, WIDTH, AND HEIGHT DIMENSIONS
ENG APPR.				SIZE DWG. NO. REV
MFG APPR.				
Q.A.				
COMMENTS:				
NEXT ASSY	USED ON	FINISH		
APPLICATION		DO NOT SCALE DRAWING		

SCALE: 2:3 WEIGHT: SHEET 1 OF 3

4

3

2

1

B

B

A

A

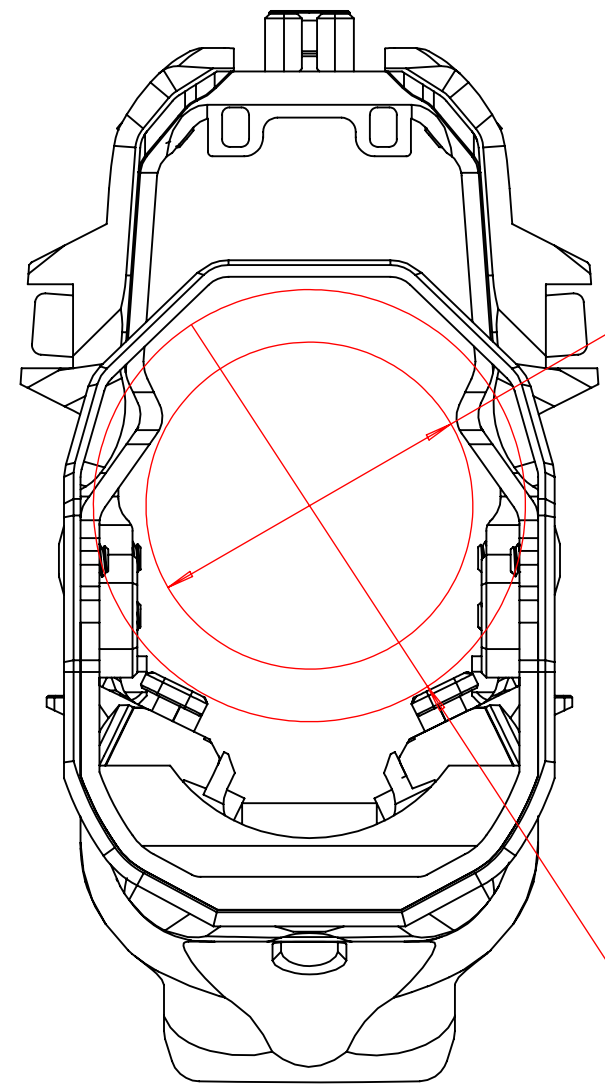
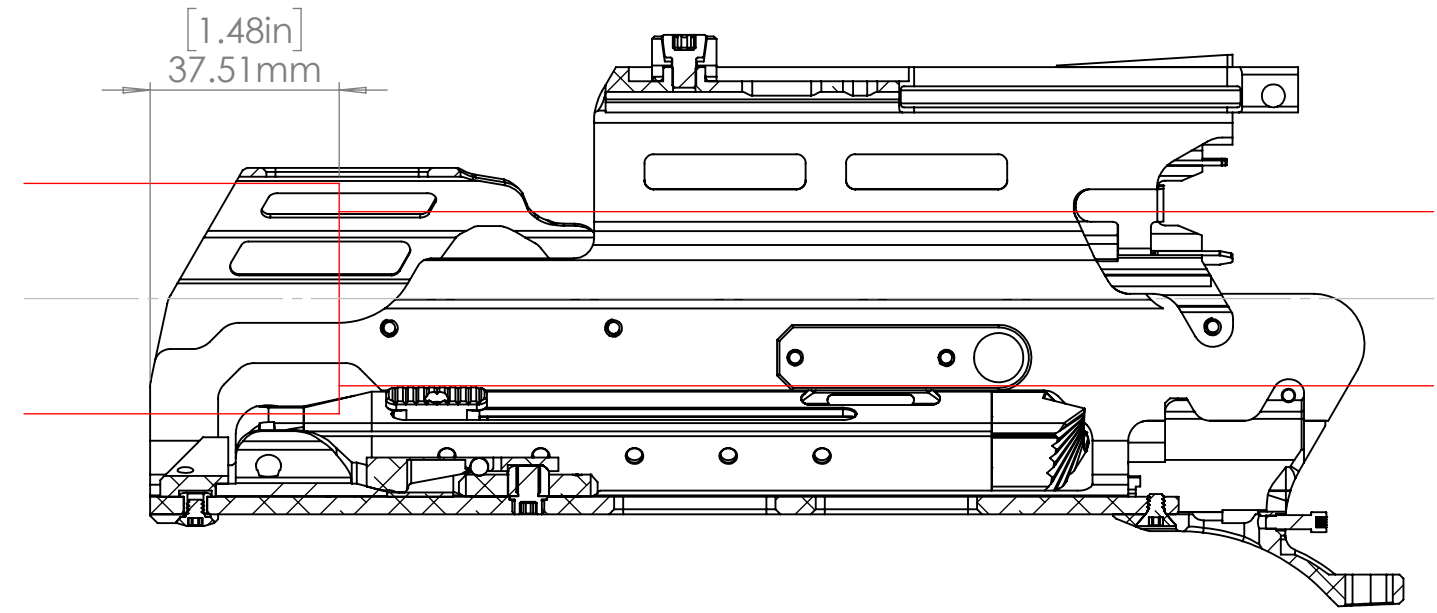
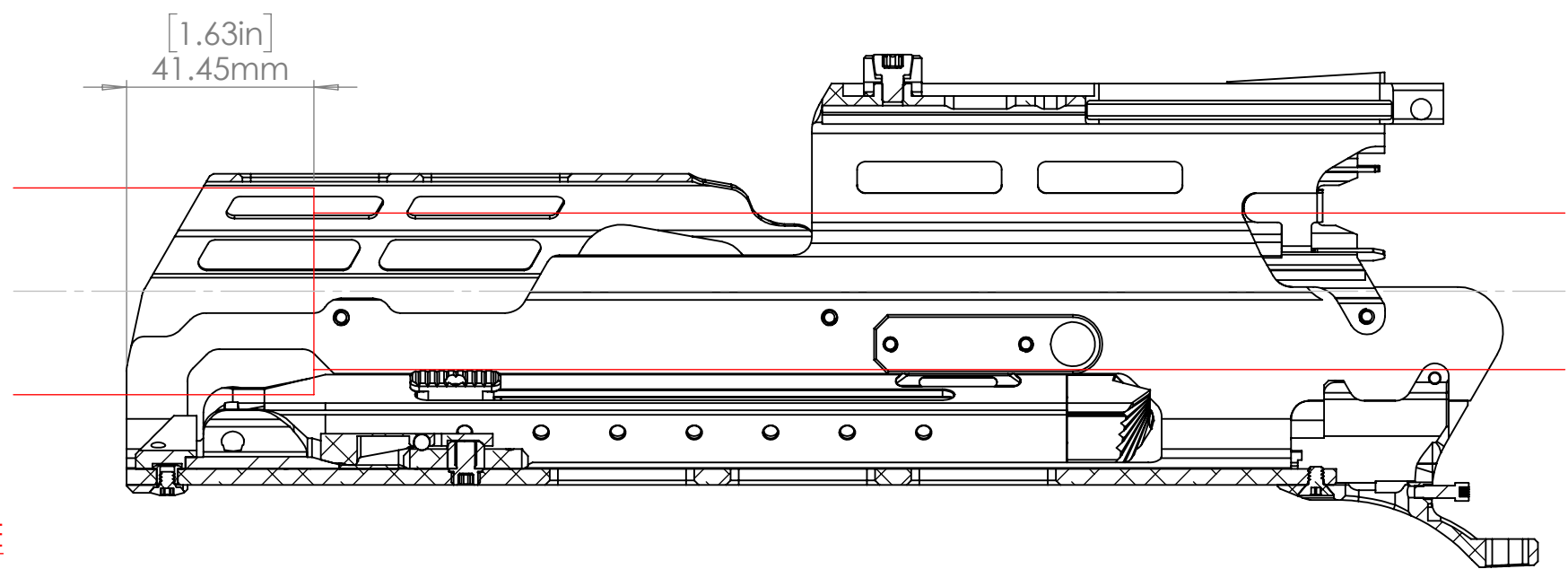
4

3

2

1

MAXIMUM SUPPRESSOR DEPTH



[1.36in max.]
Ø 34.60mm max.
INSTALLATION CLEARANCE

[1.80in max.]
Ø 45.72mm max.
SUPPRESSOR CLEARANCE

PROPRIETARY AND CONFIDENTIAL
THE INFORMATION CONTAINED IN THIS
DRAWING IS THE SOLE PROPERTY OF
BLK LBL CORP. ANY
REPRODUCTION IN PART OR AS A WHOLE
WITHOUT THE WRITTEN PERMISSION OF
BLK LBL CORP. IS PROHIBITED.

		UNLESS OTHERWISE SPECIFIED: DIMENSIONS ARE IN MILLIMETERS TOLERANCES: ANGULAR: ± 0.1 LINEAR: X ±0.1 X.X ±0.075 X.XX ±0.05	DRAWN	NAME	DATE
		INTERPRET GEOMETRIC TOLERANCING PER: MATERIAL	CHECKED		02/27/24
		FINISH	ENG APPR.		
NEXT ASSY	USED ON		MFG APPR.		
		APPLICATION	Q.A.		
		DO NOT SCALE DRAWING	COMMENTS:		

BLK LBL

TITLE: SUPPRESSOR AND
INSTALLATION CLEARANCE

SIZE DWG. NO. REV

SCALE: 2:3 WEIGHT: SHEET 2 OF 3

4

3

2

1

B

B

A

A

4

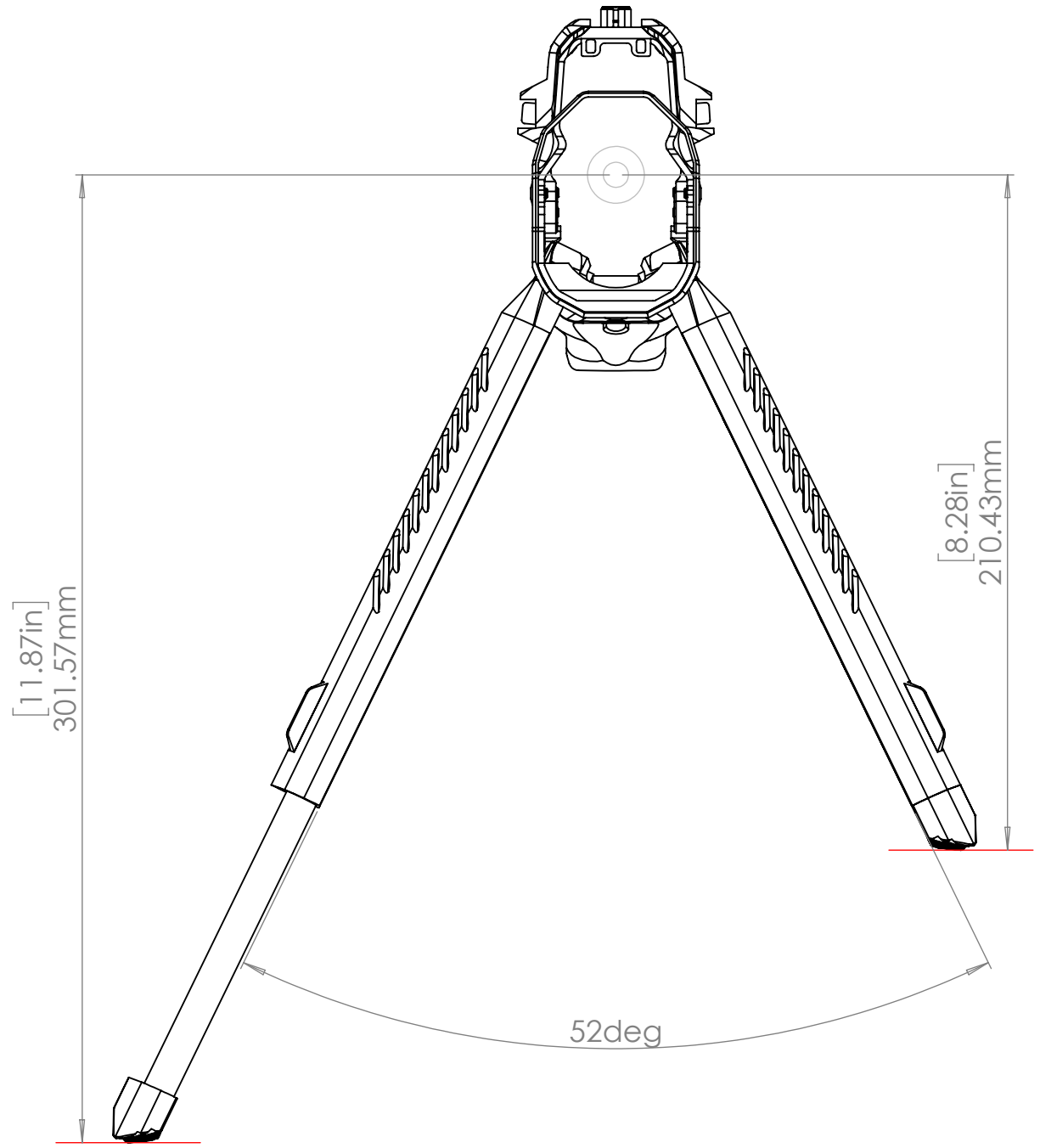
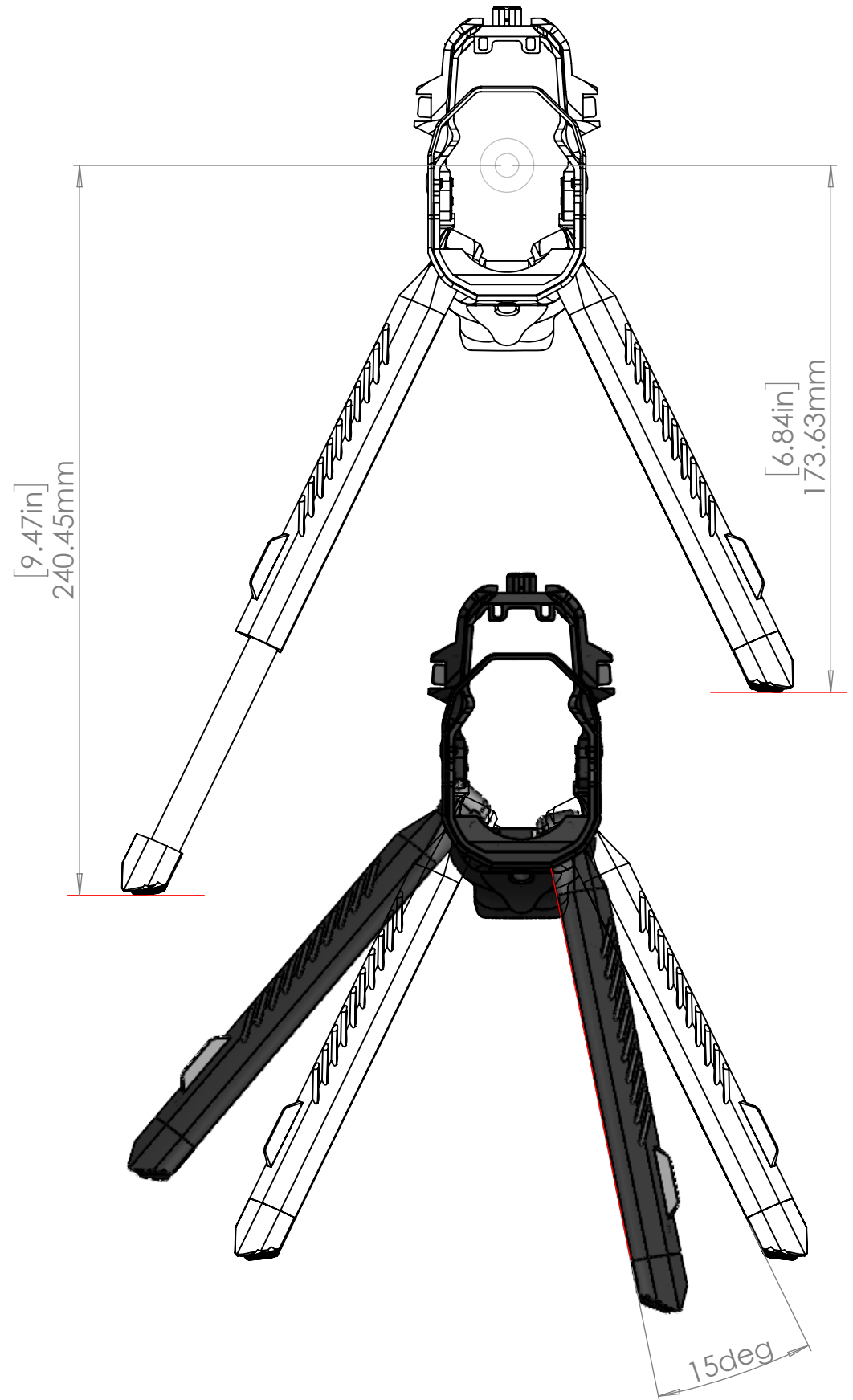
3

2

1

SHORT BIPOD

LONG BIPOD



PROPRIETARY AND CONFIDENTIAL
 THE INFORMATION CONTAINED IN THIS
 DRAWING IS THE SOLE PROPERTY OF
 BLK LBL CORP. ANY
 REPRODUCTION IN PART OR AS A WHOLE
 WITHOUT THE WRITTEN PERMISSION OF
 BLK LBL CORP. IS PROHIBITED.

		UNLESS OTHERWISE SPECIFIED:	NAME	DATE	BLK LBL
		DIMENSIONS ARE IN MILLIMETERS	DRAWN	02/27/24	
		TOLERANCES:	CHECKED		TITLE: DEPLOYED LEG MEASUREMENTS
		ANGULAR: ± 0.1	ENG APPR.		SIZE DWG. NO. REV
		LINEAR:	MFG APPR.		SCALE: 1:2 WEIGHT: SHEET 3 OF 3
		X ±0.1	Q.A.		
		X.X ±0.075	COMMENTS:		
		X.XX ±0.05			
NEXT ASSY	USED ON	INTERPRET GEOMETRIC TOLERANCING PER:			
		MATERIAL			
		FINISH			
APPLICATION		DO NOT SCALE DRAWING			

4

3

2

1

B

B

A

A