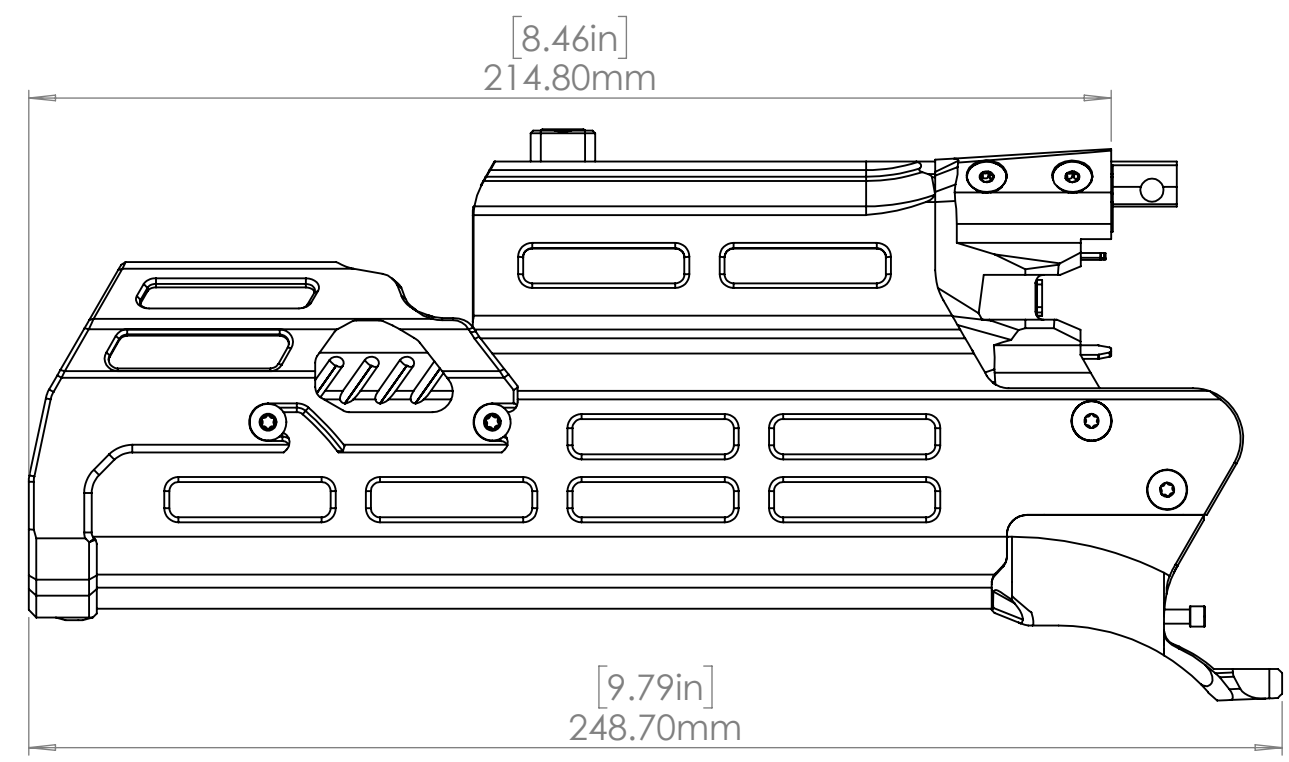
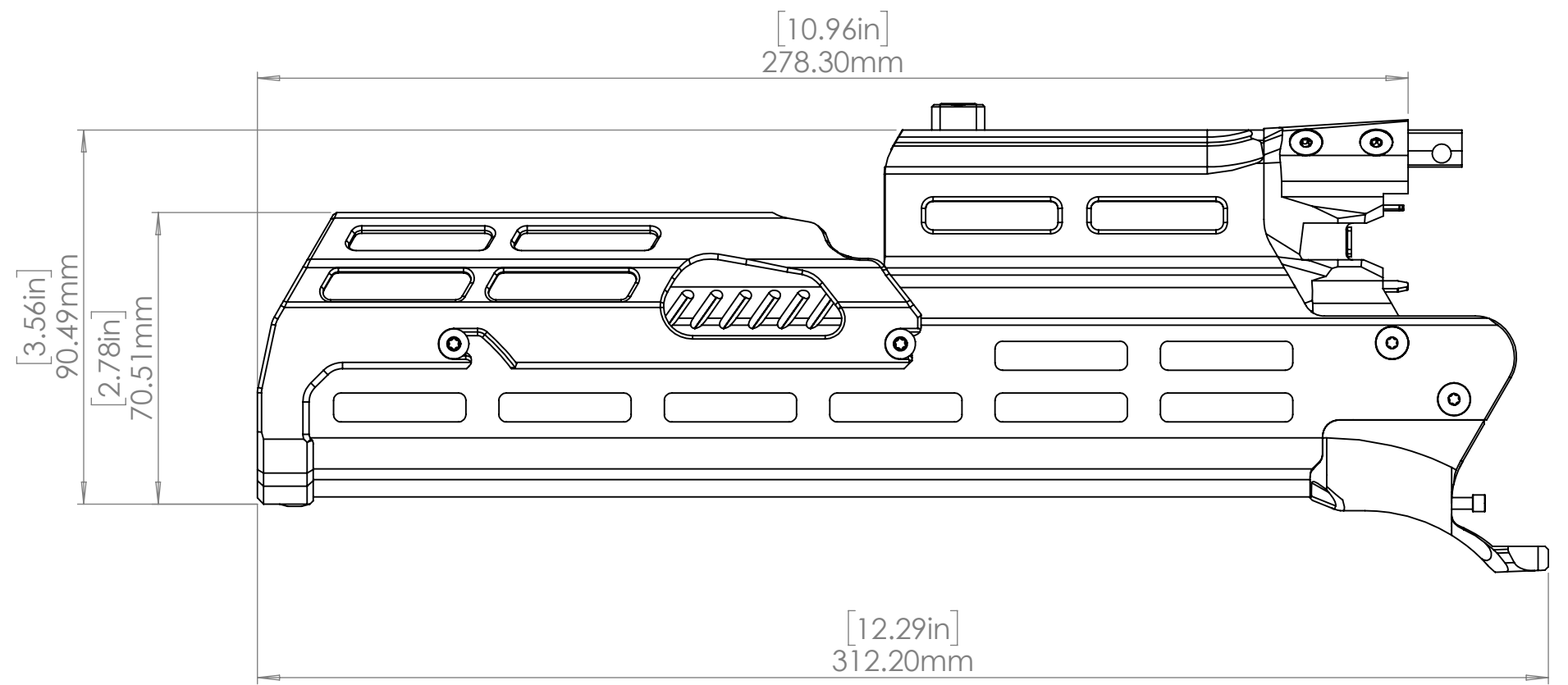
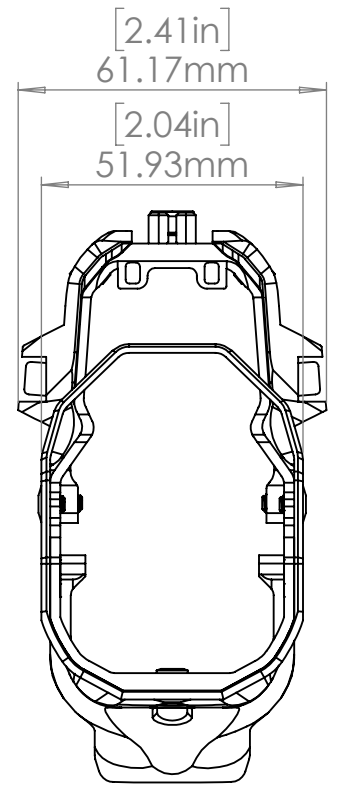


4

3

2

1



PRODUCT	MASS (g)
SHORT HANDGUARD	300
LONG HANDGUARD	363

PROPRIETARY AND CONFIDENTIAL
THE INFORMATION CONTAINED IN THIS
DRAWING IS THE SOLE PROPERTY OF
BLK LBL CORP. ANY
REPRODUCTION IN PART OR AS A WHOLE
WITHOUT THE WRITTEN PERMISSION OF
BLK LBL CORP. IS PROHIBITED.

UNLESS OTHERWISE SPECIFIED: DIMENSIONS ARE IN MILLIMETERS TOLERANCES: ANGULAR: ± 0.1 LINEAR: X ±0.1 X.X ±0.075 X.XX ±0.05		NAME	DATE	BLK LBL
DRAWN		02/27/24		
CHECKED				TITLE: OVERALL LENGTH, WIDTH, AND HEIGHT DIMENSIONS
ENG APPR.				SIZE DWG. NO. REV
MFG APPR.				
Q.A.				
COMMENTS:				
NEXT ASSY	USED ON	FINISH		
APPLICATION		DO NOT SCALE DRAWING		SCALE: 2:3 WEIGHT: SHEET 1 OF 2

4

3

2

1

B

B

A

A

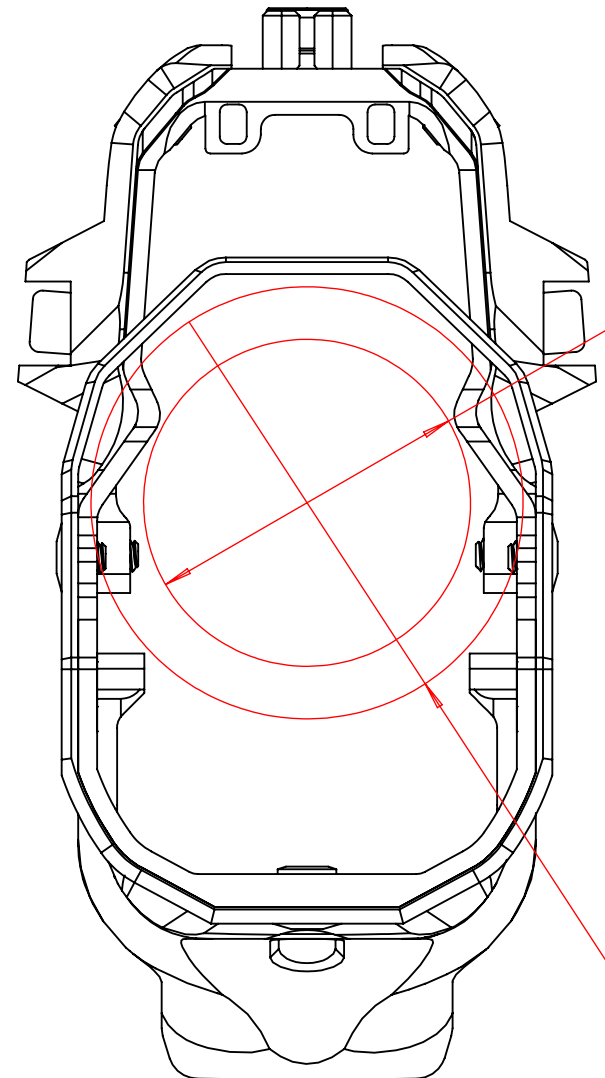
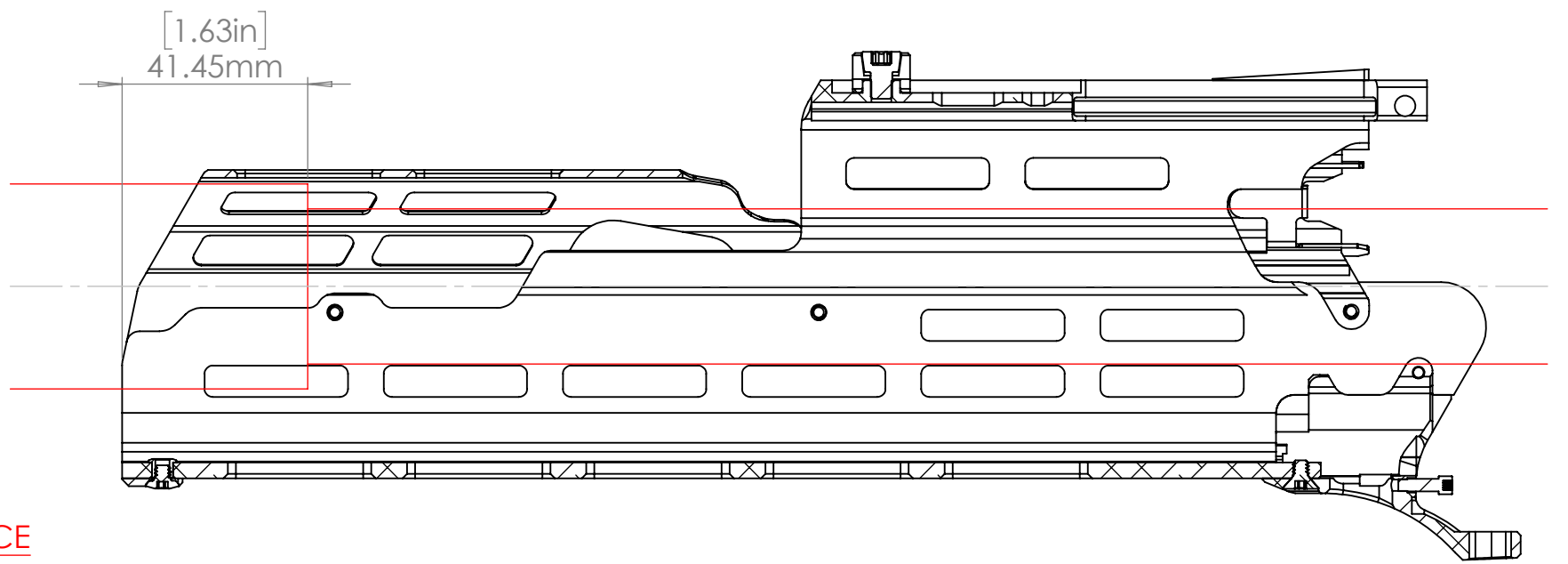
4

3

2

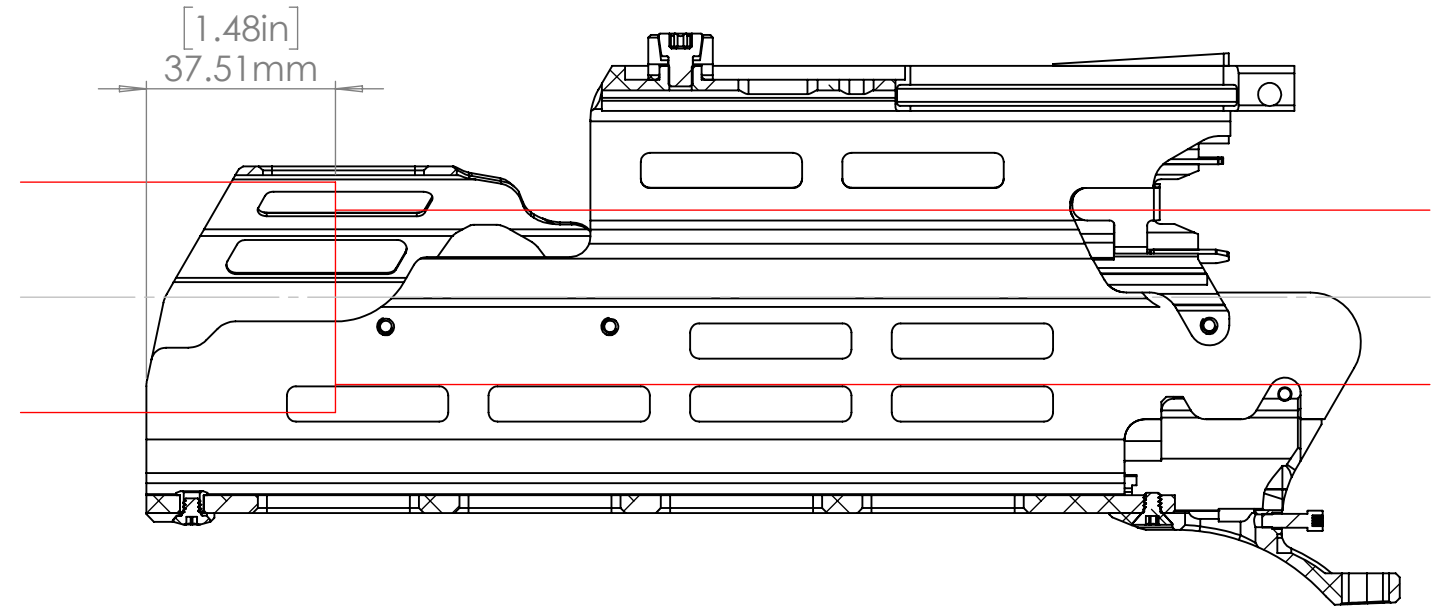
1

MAXIMUM SUPPRESSOR DEPTH



[1.36in max.]
Ø 34.59mm max.
INSTALLATION CLEARANCE

[1.80in max.]
Ø 45.72mm max.
SUPPRESSOR CLEARANCE



PROPRIETARY AND CONFIDENTIAL
THE INFORMATION CONTAINED IN THIS
DRAWING IS THE SOLE PROPERTY OF
BLK LBL CORP. ANY
REPRODUCTION IN PART OR AS A WHOLE
WITHOUT THE WRITTEN PERMISSION OF
BLK LBL CORP. IS PROHIBITED.

		UNLESS OTHERWISE SPECIFIED:	NAME	DATE
		DIMENSIONS ARE IN MILLIMETERS	DRAWN	02/27/24
		TOLERANCES:	CHECKED	
		ANGULAR: ± 0.1	ENG APPR.	
		LINEAR:	MFG APPR.	
		X ±0.1	Q.A.	
		X.X ±0.075	COMMENTS:	
		X.XX ±0.05		
NEXT ASSY	USED ON	INTERPRET GEOMETRIC TOLERANCING PER:		
		MATERIAL		
		FINISH		
APPLICATION		DO NOT SCALE DRAWING		

BLK LBL

TITLE: SUPPRESSOR AND
INSTALLATION CLEARANCE

SIZE DWG. NO. REV

SCALE: 2:3 WEIGHT: SHEET 2 OF 2

4

3

2

1

B

B

A

A