

# **TAVOR 7**

HANDGUARD  
OWNER'S MANUAL

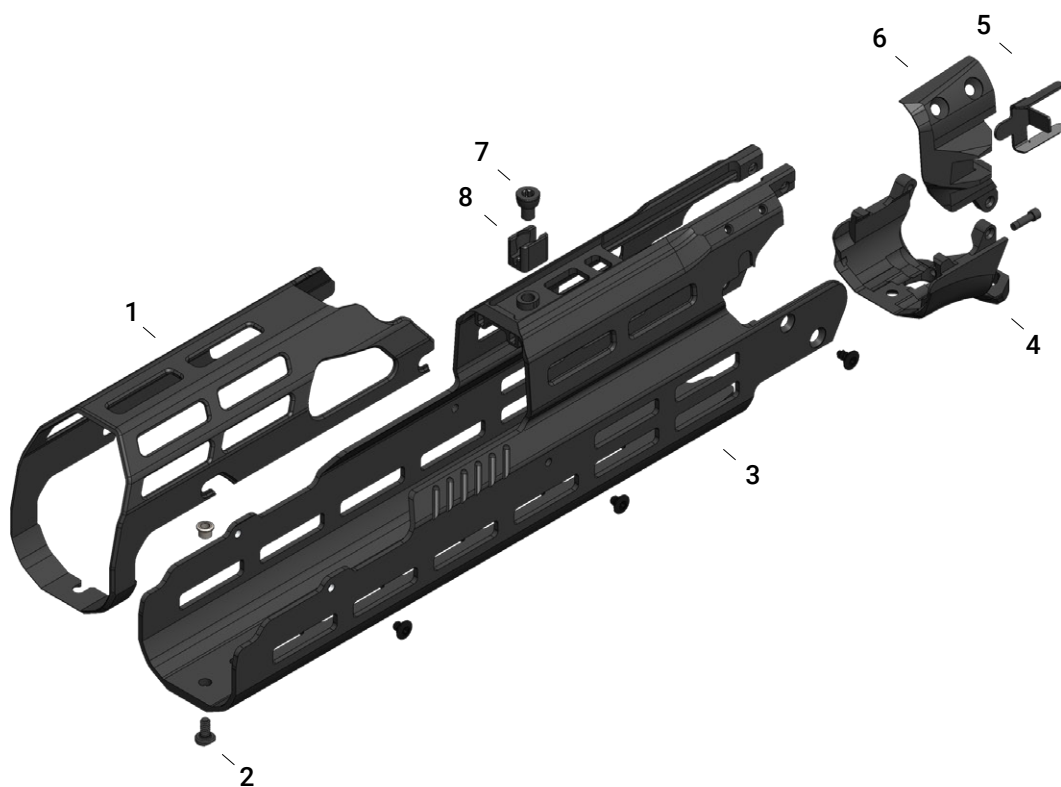
# SPECIFICATIONS

---

Thank you for your purchase of the BLK LBL Bipod™.

## MAJOR PARTS (REPLACABLE)

1. Hood
2. Front hood screw
3. Handguard frame
4. Bottom coupler
5. Charging handle clip
6. Clip retainer
7. Top rail wedge screw
8. Top rail wedge



# INSTALLATION

---

## The BLK LBL bipod should be installed by a qualified gunsmith

1. **WARNING!** Reference the NSSF rules of firearms safety <https://www.nssf.org/safety/rules-firearms-safety/>
2. Keep the muzzle of the gun pointed in a safe direction at all times and confirm the gun is unloaded.
3. Using a 6mm hex driver remove the bolt in the center of the pistol grip.
4. Use two 3mm hex drivers to remove the retaining pin at the back of the foregrip above the charging handle. You may have to use a punch to tap out the pin.
5. Pull the charging handle to the rear and lock in place.
6. Slide the fore grip straight forward until it stops, about 1 inch.
7. Rotate the back of the foregrip downwards so the front of the foregrip can move up and clear the gas regulator. Slide the foregrip forward and off.
8. Remove the wedge block and wedge screw from the top of your new BLK LBL Handguard.
9. Slide the BLK LBL handguard over the end of the barrel keeping the back of the handguard rotated downwards until the top of the handguard clears the gas regulator.
10. Once the BLK LBL handguard clears the gas regulator rotate the back of the handguard up so that the top of the handguard is parallel with the top rail and slide the handguard straight back. There are tabs on the back of the BLK LBL handguard around the charging handle that line up with the plastic stock on the rifle. Make sure all four tabs (two on each side) are properly inserted into the stock.
11. Reinstall the retaining pin. This can be a tight fit so you may need to use a punch to insert the pin. If the pin will not insert with light taps from a punch then you may have to loosen the 6mm hex bolts on the top of the top rail to create some room for the pin to slide through. Apply a small amount of Loctite 242 or equivalent to the thread of the screw and insert it into the pin. Tighten with two 3mm Hex drivers.
12. Insert the wedge block into the rectangular hole at the end of the top rail. Insert the wedge screw into the wedge block and thread it into the top of the handguard. Tighten to 15 in/lbs (1.7 Nm).
13. Reinstall the pistol grip. Ensure the front tab on the sabre guard inserts into the slot on the bottom of the coupler of the BLK LBL Handguard. If this is not aligned, you may need to loosen the wedge screw, insert the tab and retighten the wedge screw.

## HOOD REMOVAL

To clean the gas regulator on the Tavor 7 rifle you will need to remove the hood. No tools are required for this so it is field serviceable.

Using the rim of a .308 cartridge case rotate the front hood screw counter clockwise until it starts to get tight. The screw is captured so it will not fall out. Slide the hood straight forward then straight up and it will come off. Do not remove or loosen the four screws on the side of the hood. They are factory torqued and installed with red Loctite Threadlocker.

Reinstall the hood in the opposite manner. Do not over tighten the front hood screw or tighten the screws on the side of the hood.

# MAINTENANCE

---

## PROTECTION

Built with anodized and nitrided parts, the BLK LBL Bipod can withstand most environmental conditions. However only proper care can keep your bipod in good operating condition and maintain it's appearance.

## CLEANING

Clean as you would your rifle. Never use corrosive cleaning products as these can severely damage the aluminum.

# WARRANTY

---

We want our customers to be happy so our lifetime warranty is simple; if your BLK LBL bipod is defective or ever fails due to quality or workmanship just return it to us and we will fix it or replace it. Obviously we cannot cover negligent or abusive use of our product, but if you happen to drive over it with your truck or drop it off a cliff, send it to us and we will do our best to fix it for a reasonable cost. Our warranty, of course, only covers the BLK LBL bipod and not any accessories mounted to it nor the firearm to which it is mounted.

Please direct all warranty claims to [info@blklblbipod.com](mailto:info@blklblbipod.com)