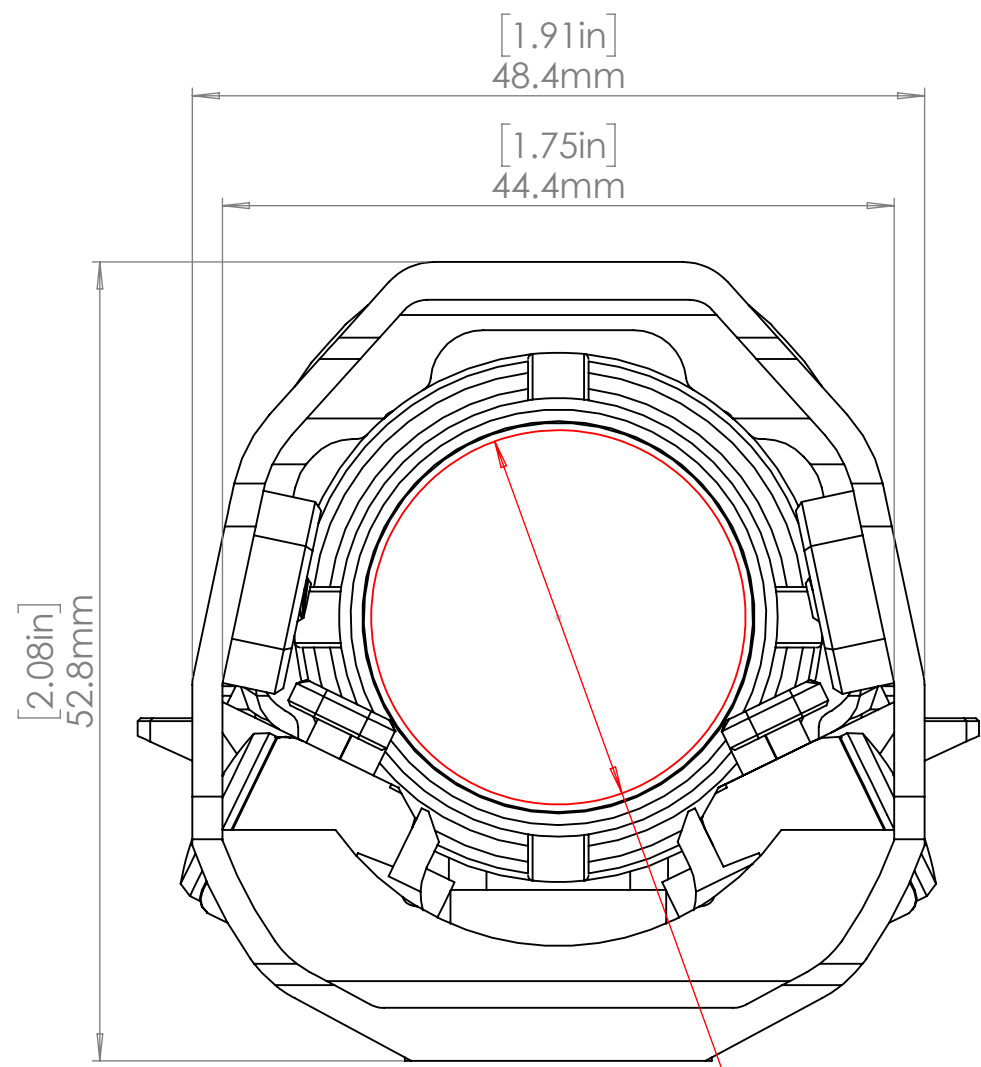
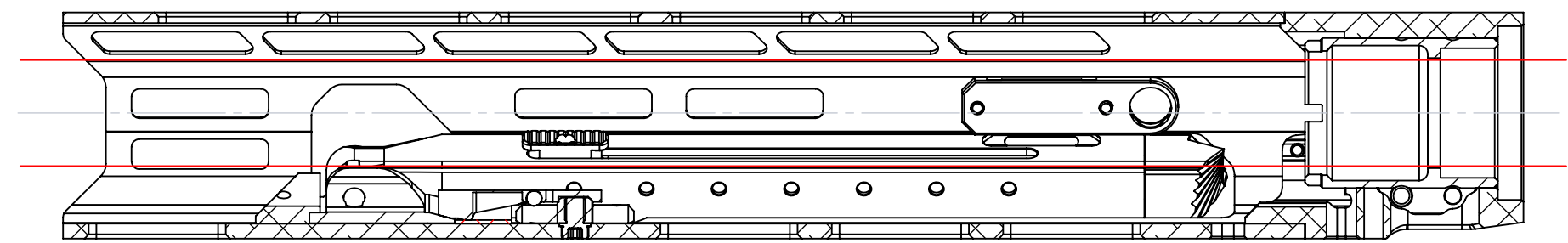
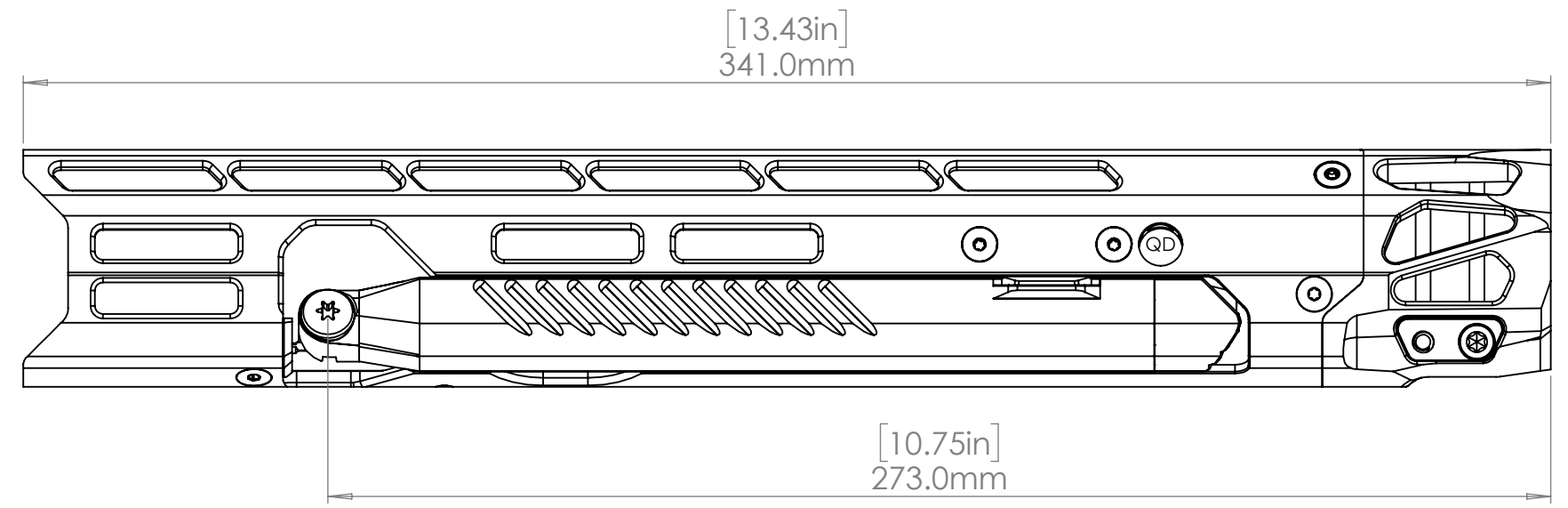


ANGLED M-LOK SLOTS M-LOK ACCESSORY COMPATIBLE



[0.97in max.]
 Ø 24.8mm max.
 INSTALLATION CLEARANCE

RUGER PRECISION RIFLE GEN 3 BIPOD

PROPRIETARY AND CONFIDENTIAL
 THE INFORMATION CONTAINED IN THIS
 DRAWING IS THE SOLE PROPERTY OF
 BLK LBL CORP. ANY
 REPRODUCTION IN PART OR AS A WHOLE
 WITHOUT THE WRITTEN PERMISSION OF
 BLK LBL CORP. IS PROHIBITED.

UNLESS OTHERWISE SPECIFIED:		NAME	DATE
DIMENSIONS ARE IN MILLIMETERS		DRAWN	08/27/24
TOLERANCES:		CHECKED	
ANGULAR: ± 0.1		ENG APPR.	
LINEAR:		MFG APPR.	
X ±0.1		Q.A.	
X.X ±0.075		COMMENTS:	
X.XX ±0.05			
INTERPRET GEOMETRIC TOLERANCING PER:	MATERIAL		
FINISH			
NEXT ASSY	USED ON		
APPLICATION	DO NOT SCALE DRAWING		

BLK LBL

TITLE: **OVERALL LENGTH AND INSTALLATION CLEARANCE**

SIZE	DWG. NO.	REV
SCALE: 2:3	598 GRAMS	SHEET 1 OF 2

4

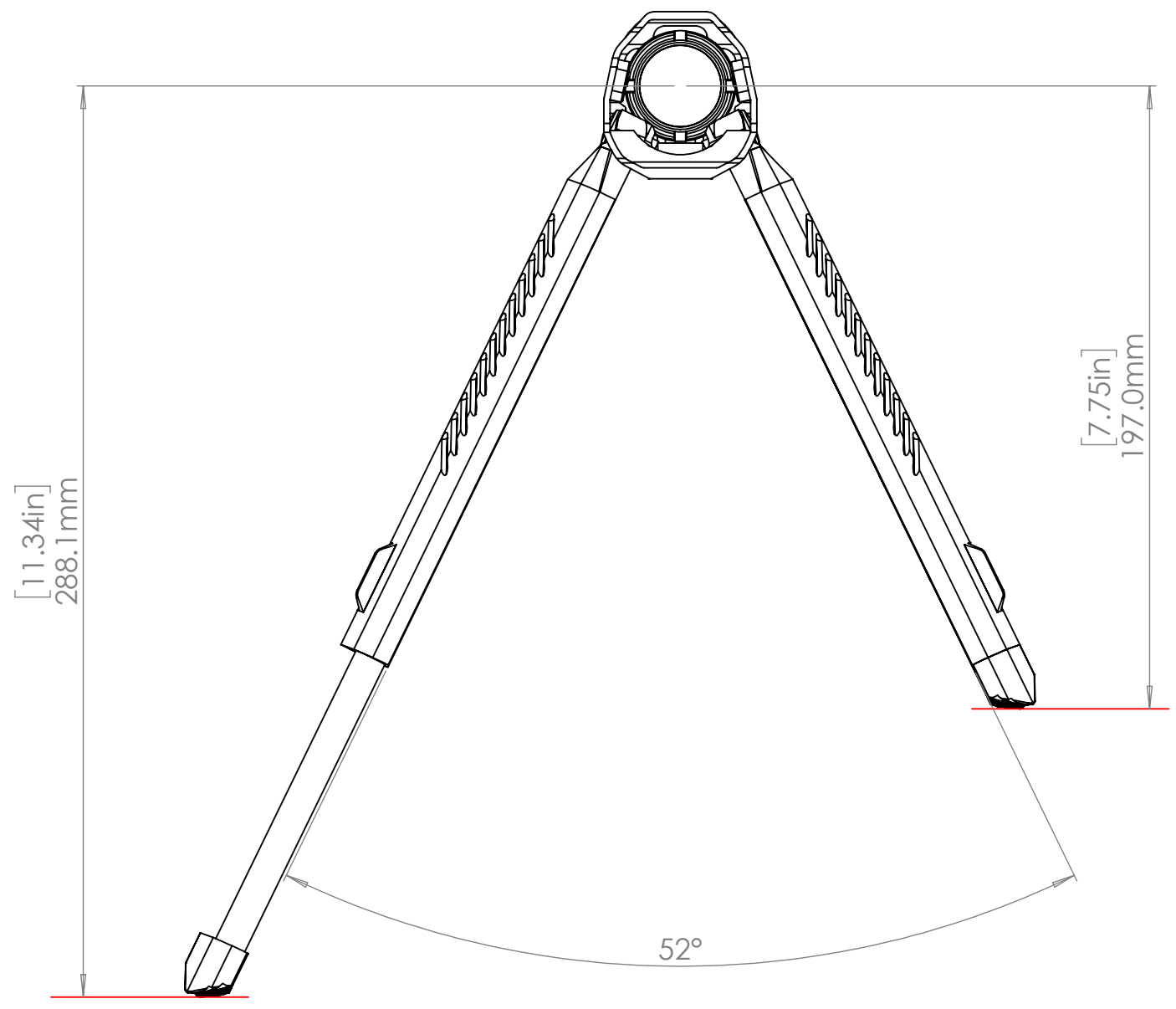
3

2

1

B

B



A

A

RUGER PRECISION RIFLE GEN 3 BIPOD

PROPRIETARY AND CONFIDENTIAL
 THE INFORMATION CONTAINED IN THIS
 DRAWING IS THE SOLE PROPERTY OF
 BLK LBL CORP. ANY
 REPRODUCTION IN PART OR AS A WHOLE
 WITHOUT THE WRITTEN PERMISSION OF
 BLK LBL CORP. IS PROHIBITED.

		UNLESS OTHERWISE SPECIFIED:	NAME	DATE
		DIMENSIONS ARE IN MILLIMETERS	DRAWN	08/27/24
		TOLERANCES:	CHECKED	
		ANGULAR: ± 0.1	ENG APPR.	
		LINEAR:	MFG APPR.	
		X ±0.1	Q.A.	
		X.X ±0.075	COMMENTS:	
		X.XX ±0.05		
		INTERPRET GEOMETRIC		
		TOLERANCING PER:		
		MATERIAL		
		FINISH		
NEXT ASSY	USED ON			
		APPLICATION		
		DO NOT SCALE DRAWING		

BLK LBL

TITLE:
DEPLOYED LEG DIMENSIONS

SIZE	DWG. NO.	REV
SCALE: 1:2	598 GRAMS	SHEET 2 OF 2

4

3

2

1