

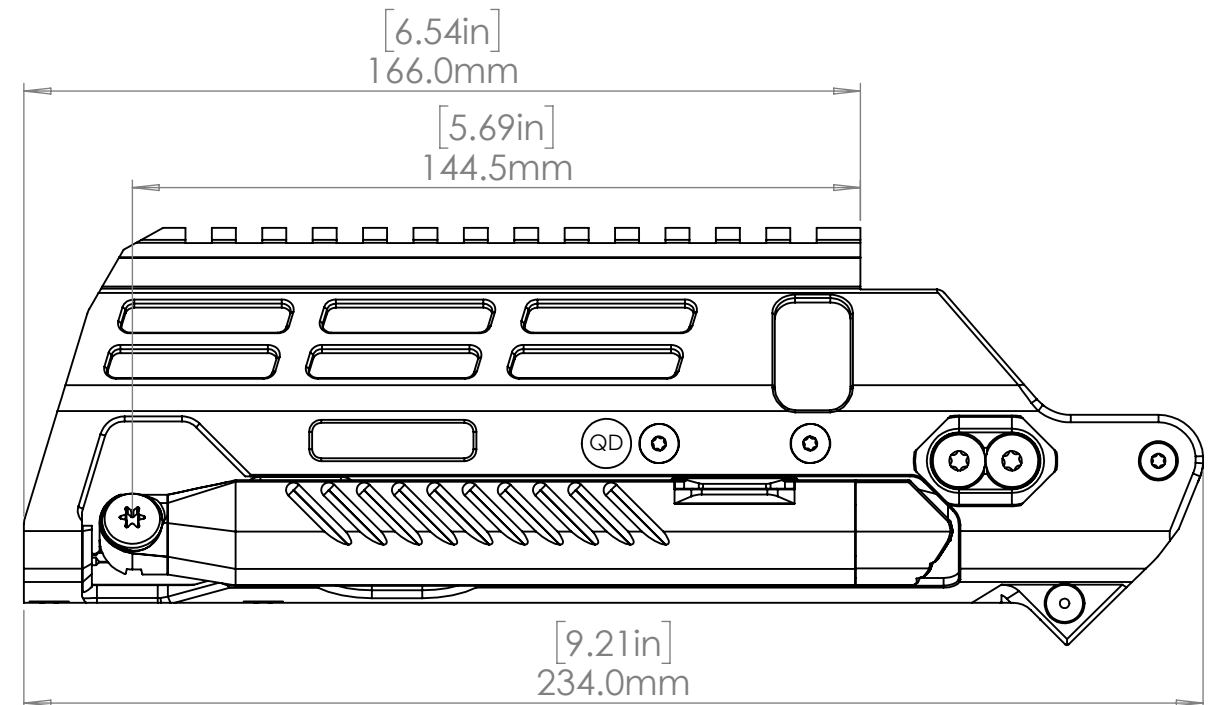
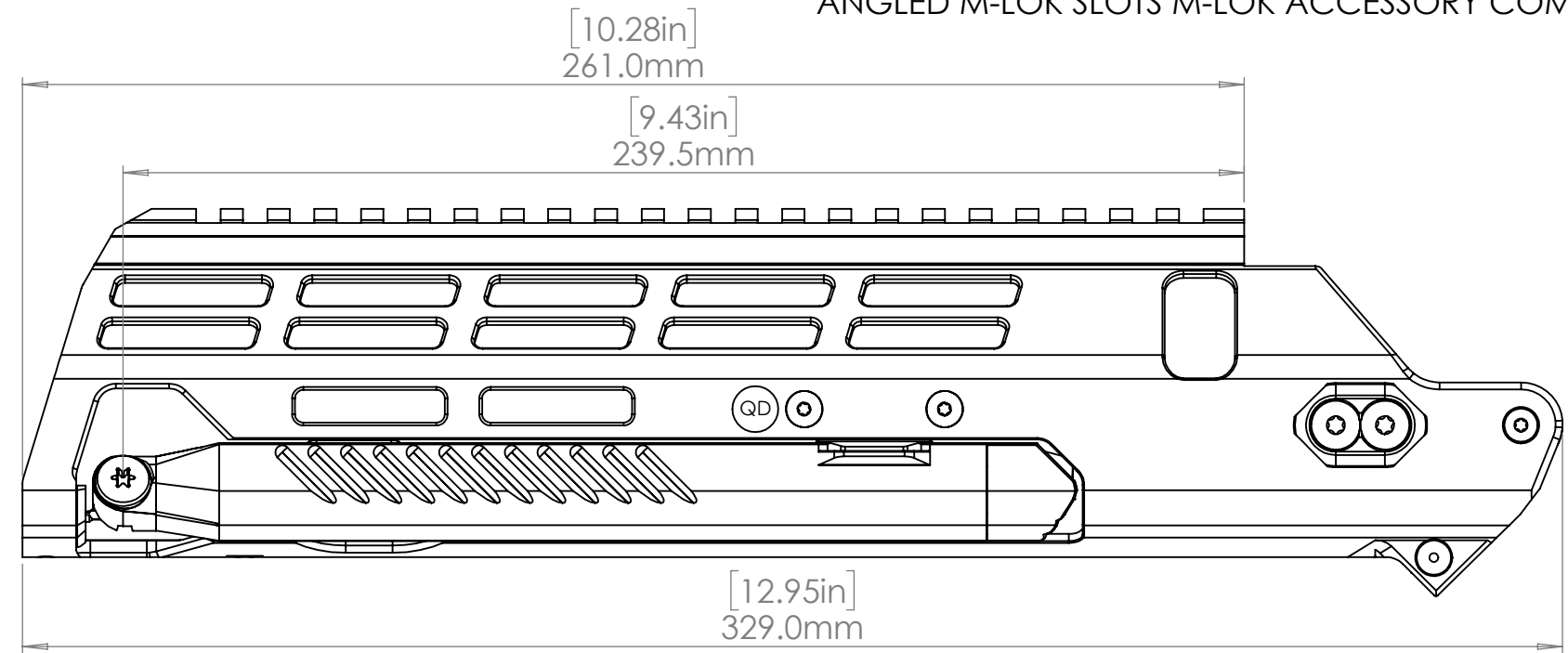
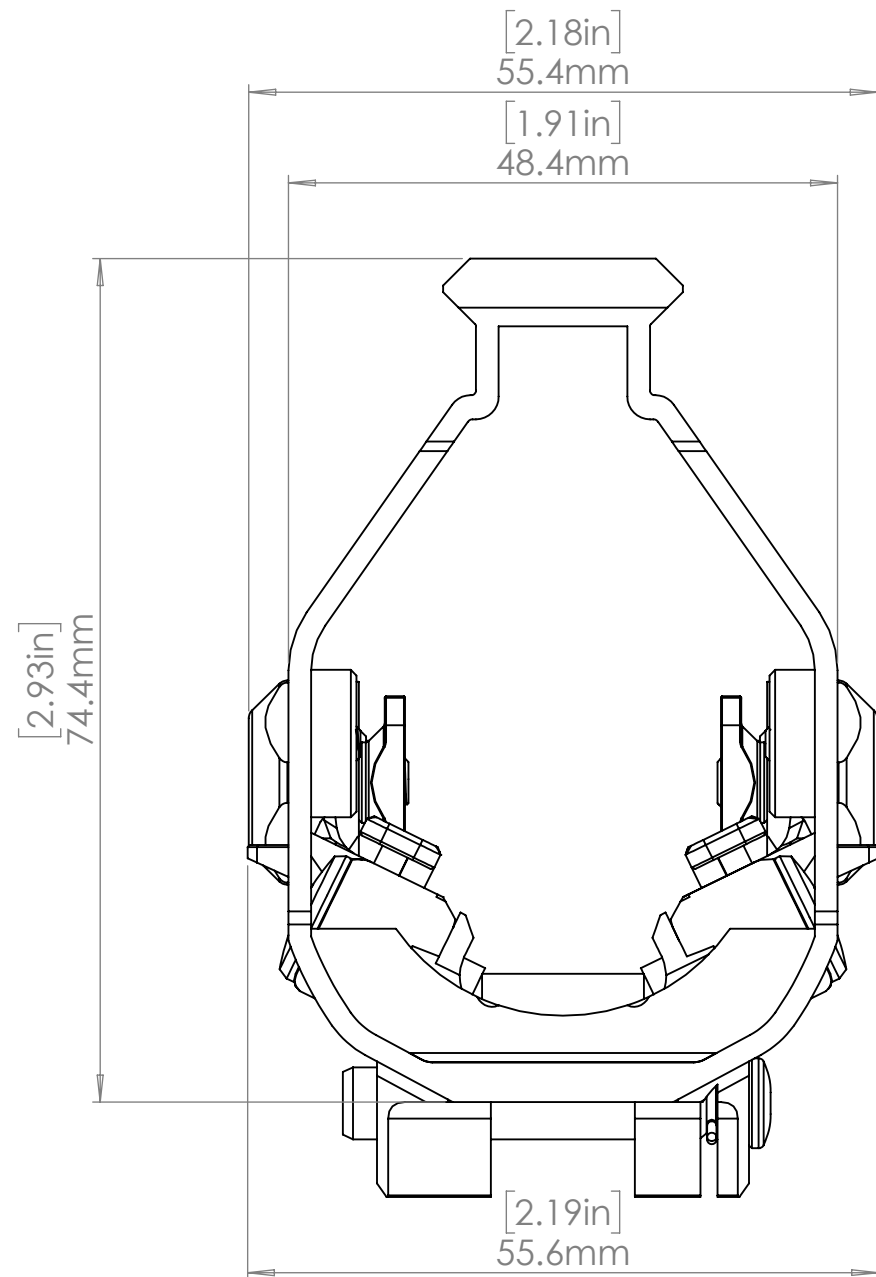
4

3

2

1

ANGLED M-LOK SLOTS M-LOK ACCESSORY COMPATIBLE



PRODUCT	MASS (g)
SHORT BIPOD	445
LONG BIPOD	564

MDRX V3 BIPOD

PROPRIETARY AND CONFIDENTIAL  
 THE INFORMATION CONTAINED IN THIS  
 DRAWING IS THE SOLE PROPERTY OF  
 BLK LBL CORP. ANY  
 REPRODUCTION IN PART OR AS A WHOLE  
 WITHOUT THE WRITTEN PERMISSION OF  
 BLK LBL CORP. IS PROHIBITED.

		UNLESS OTHERWISE SPECIFIED: DIMENSIONS ARE IN MILLIMETERS TOLERANCES: ANGULAR: ± 0.1 LINEAR: X ±0.1 X.X ±0.075 X.XX ±0.05	NAME	DATE
		INTERPRET GEOMETRIC TOLERANCING PER:	DRAWN	08/21/24
		MATERIAL	CHECKED	
		FINISH	ENG APPR.	
NEXT ASSY	USED ON		MFG APPR.	
APPLICATION		DO NOT SCALE DRAWING	Q.A.	
			COMMENTS:	

**BLK LBL**

TITLE:  
**OVERALL LENGTH, WIDTH,  
 AND HEIGHT DIMENSIONS**

SIZE	DWG. NO.	REV
------	----------	-----

SCALE: 2:3 SHEET 1 OF 3

4

3

2

1

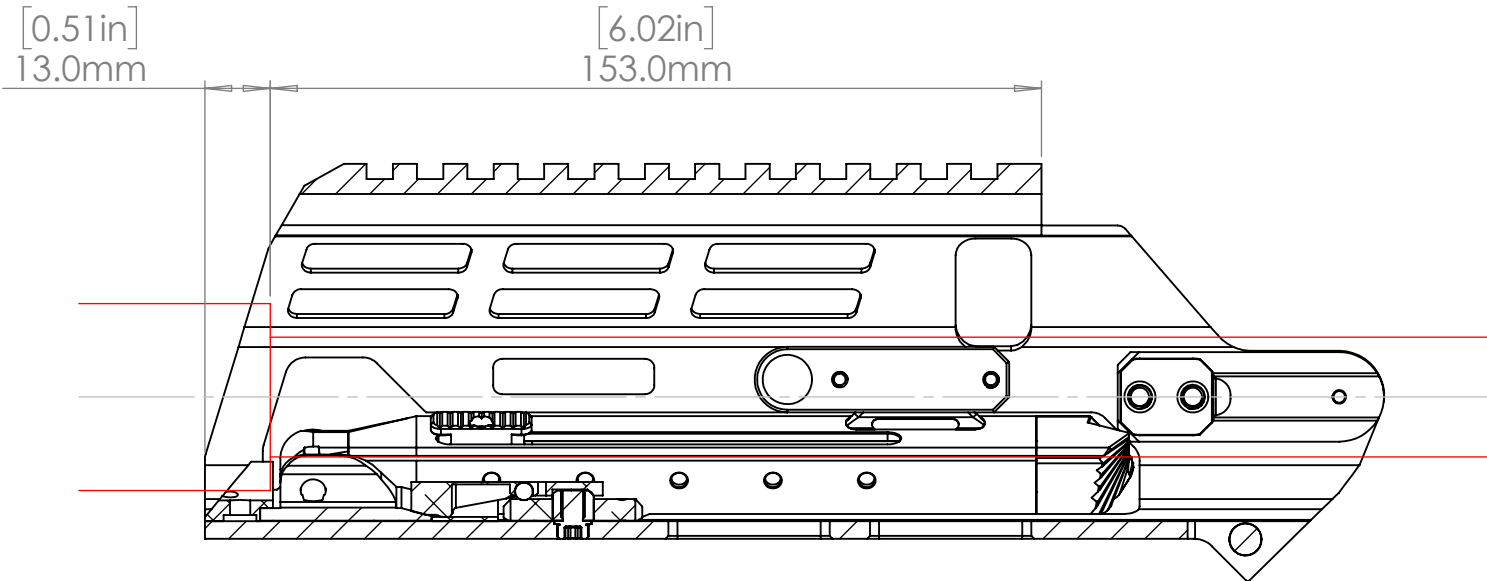
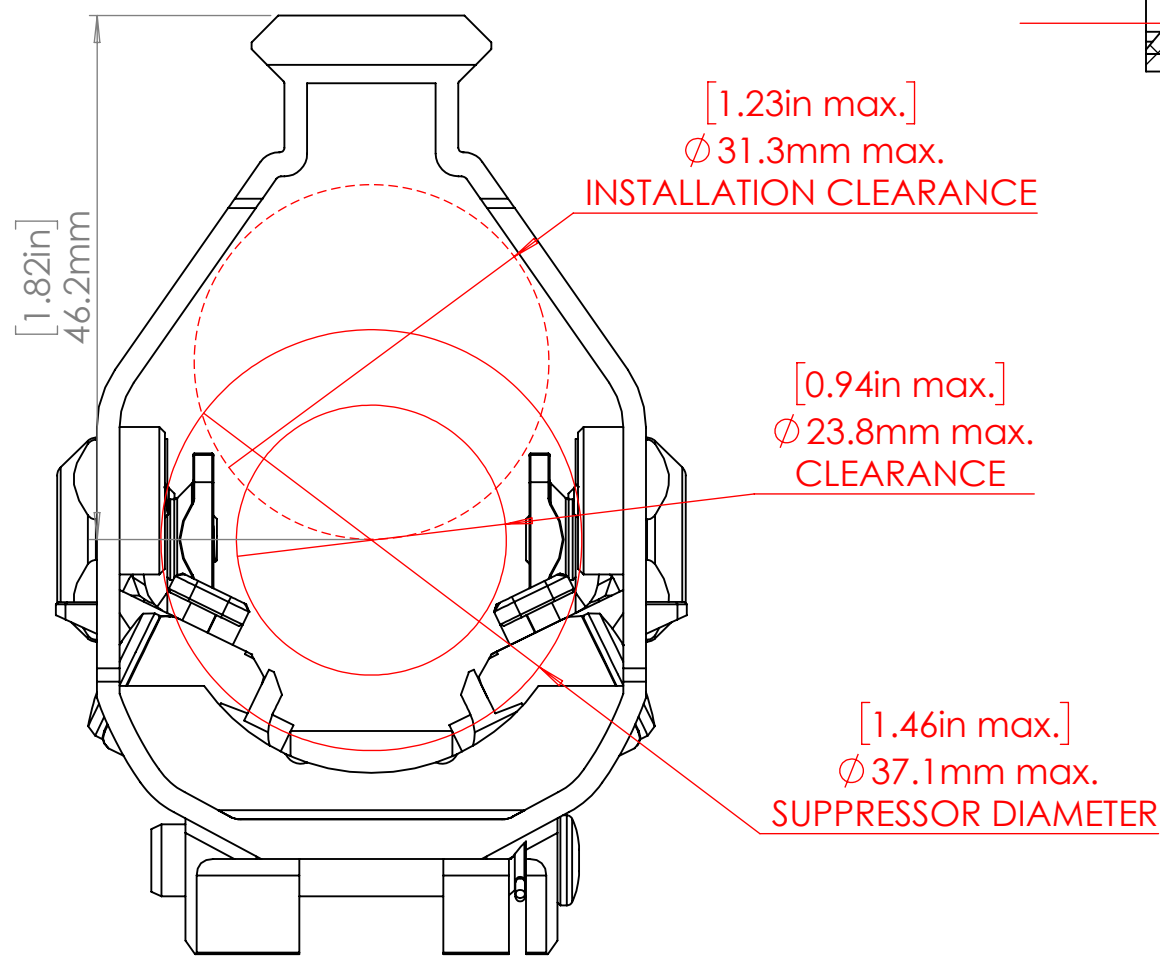
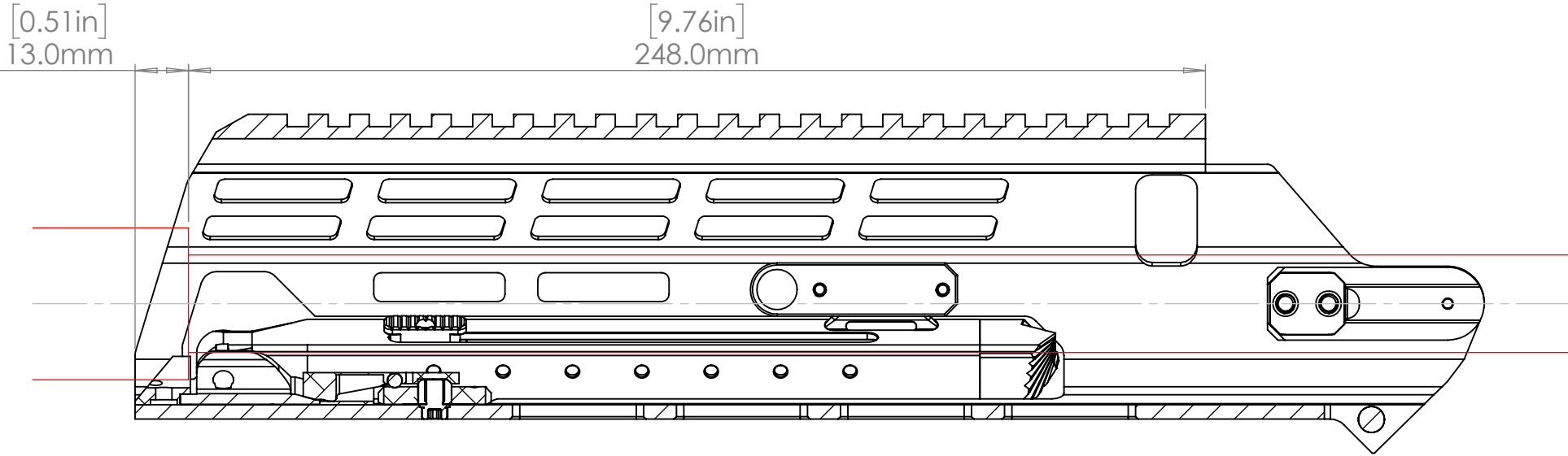
4

3

2

1

MAXIMUM SUPPRESSOR DEPTH  
(CONSIDERING HANDGUARD ONLY)



MDRX V3 BIPOD

PROPRIETARY AND CONFIDENTIAL  
THE INFORMATION CONTAINED IN THIS  
DRAWING IS THE SOLE PROPERTY OF  
BLK LBL CORP. ANY  
REPRODUCTION IN PART OR AS A WHOLE  
WITHOUT THE WRITTEN PERMISSION OF  
BLK LBL CORP. IS PROHIBITED.

UNLESS OTHERWISE SPECIFIED:		NAME	DATE
DIMENSIONS ARE IN MILLIMETERS		DRAWN	08/21/24
TOLERANCES:		CHECKED	
ANGULAR: ± 0.1		ENG APPR.	
LINEAR:		MFG APPR.	
X ±0.1		Q.A.	
X.X ±0.075		COMMENTS:	
X.XX ±0.05			
INTERPRET GEOMETRIC TOLERANCING PER:	MATERIAL		
FINISH			
NEXT ASSY	USED ON		
APPLICATION	DO NOT SCALE DRAWING		

**BLK LBL**

TITLE:  
SUPPRESSOR AND  
INSTALLATION CLEARANCE

SIZE DWG. NO. REV

SCALE: 2:3 SHEET 2 OF 3

4

3

2

1

4

3

2

1

### SHORT BIPOD

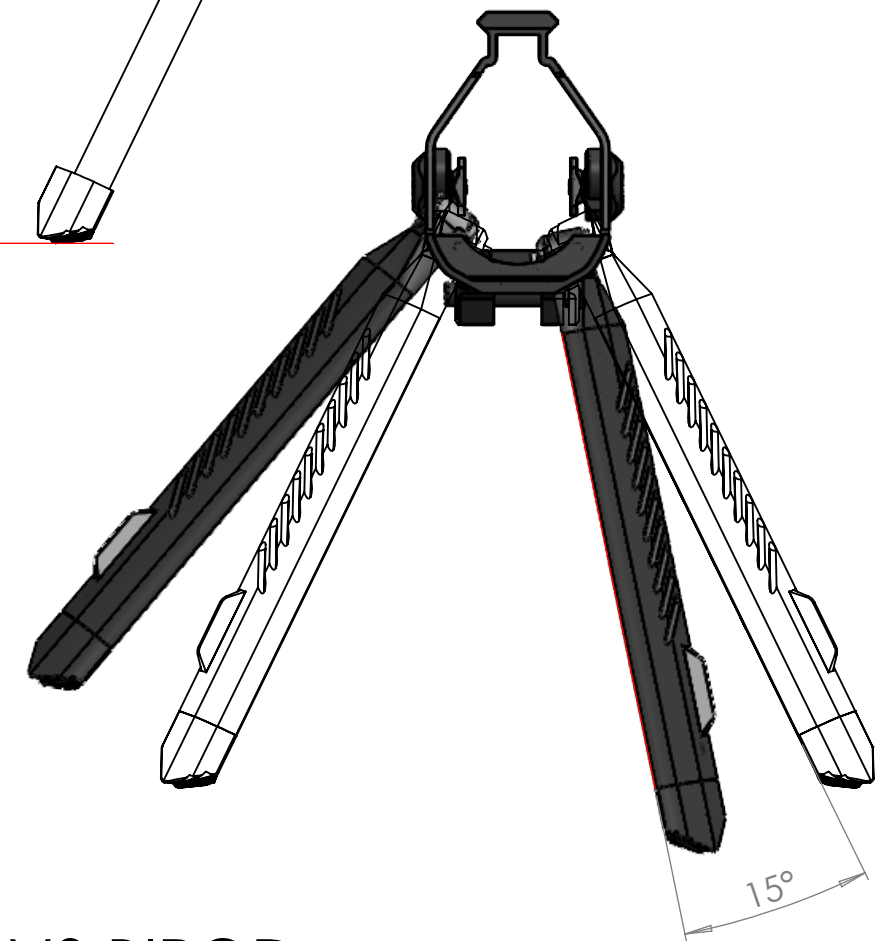
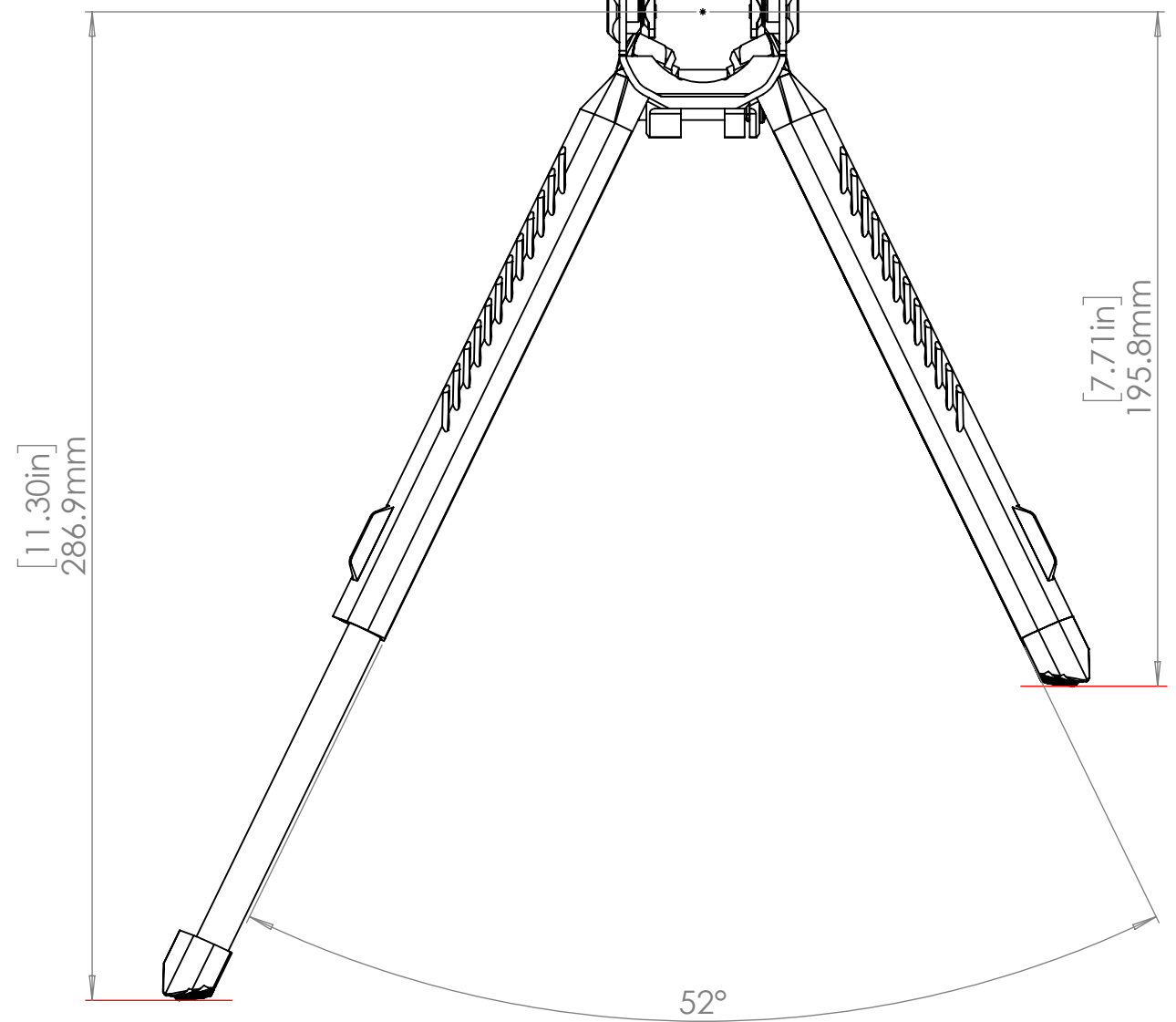
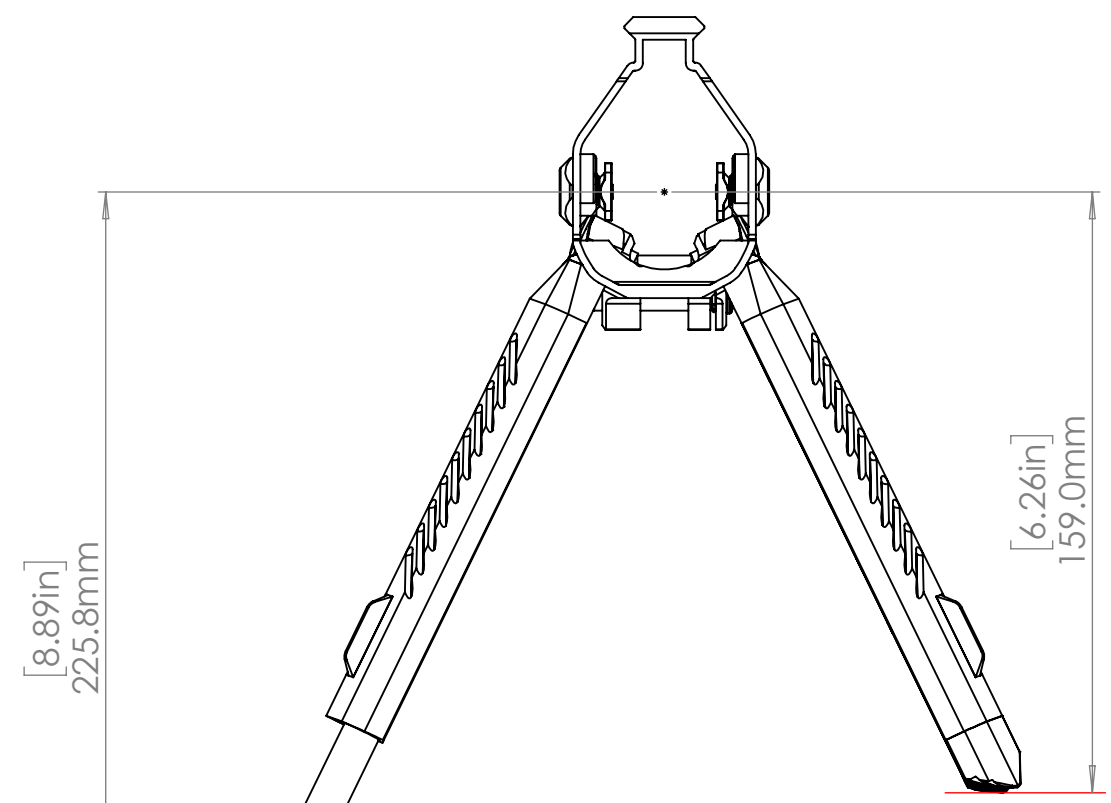
### LONG BIPOD

B

B

A

A



### MDRX V3 BIPOD

PROPRIETARY AND CONFIDENTIAL  
 THE INFORMATION CONTAINED IN THIS  
 DRAWING IS THE SOLE PROPERTY OF  
 BLK LBL CORP. ANY  
 REPRODUCTION IN PART OR AS A WHOLE  
 WITHOUT THE WRITTEN PERMISSION OF  
 BLK LBL CORP. IS PROHIBITED.

		UNLESS OTHERWISE SPECIFIED:	NAME	DATE	<b>BLK LBL</b>	
		DIMENSIONS ARE IN MILLIMETERS	DRAWN	08/21/24		
		TOLERANCES:	CHECKED		TITLE: DEPLOYED LEG MEASUREMENTS	
		ANGULAR: ± 0.1	ENG APPR.			
		LINEAR:	MFG APPR.		SIZE	DWG. NO.
		X ±0.1	Q.A.			REV
		X.X ±0.075	COMMENTS:			
		X.XX ±0.05				
		INTERPRET GEOMETRIC TOLERANCING PER:				
		MATERIAL				
NEXT ASSY	USED ON	FINISH				
APPLICATION		DO NOT SCALE DRAWING			SCALE: 1:2	SHEET 3 OF 3

4

3

2

1