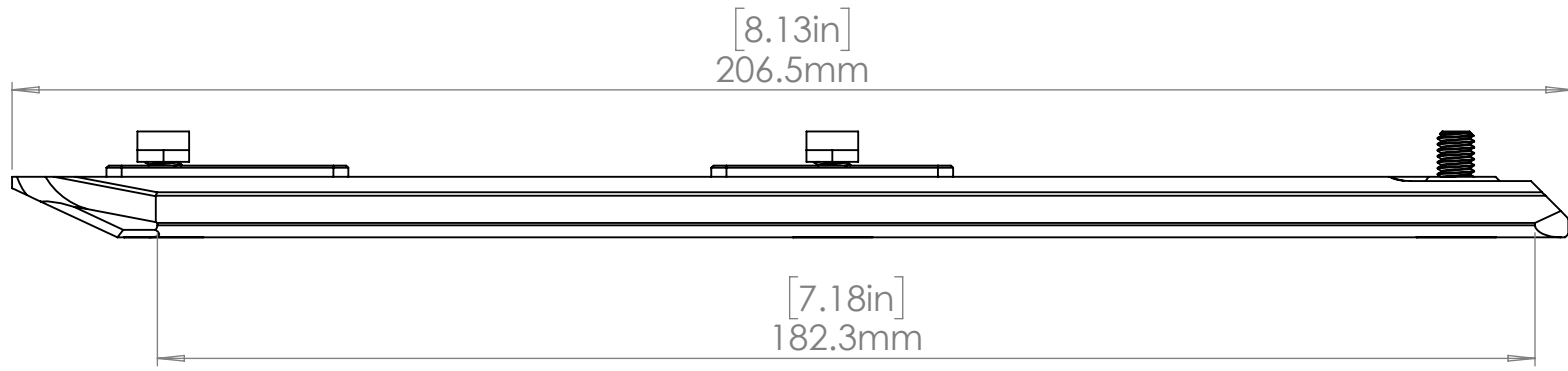


4

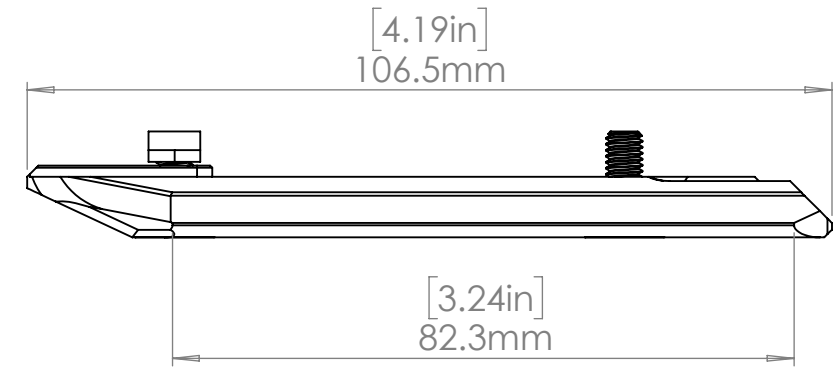
3

2

1



[3.8 oz.]
108 g

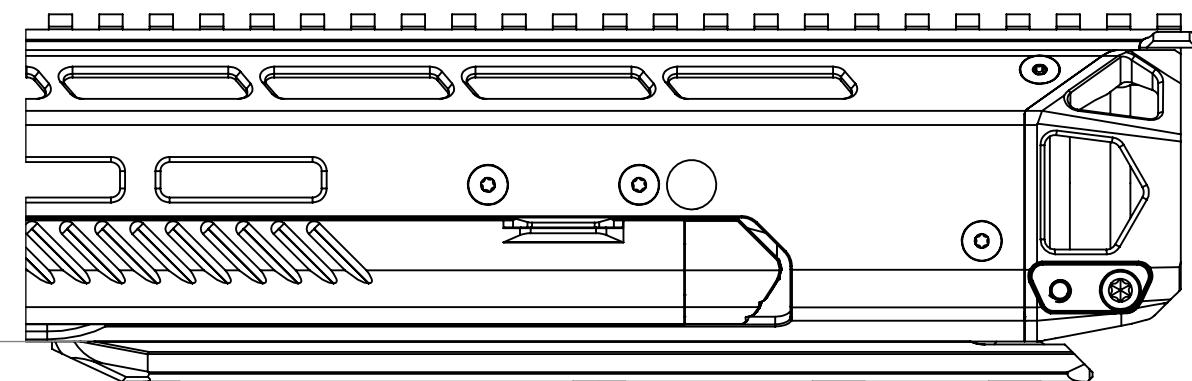


[1.8 oz.]
52 g

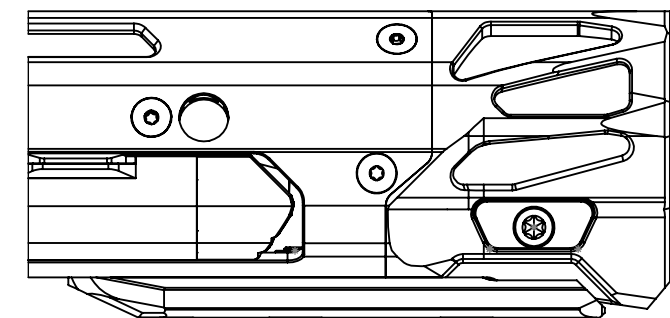
B

B

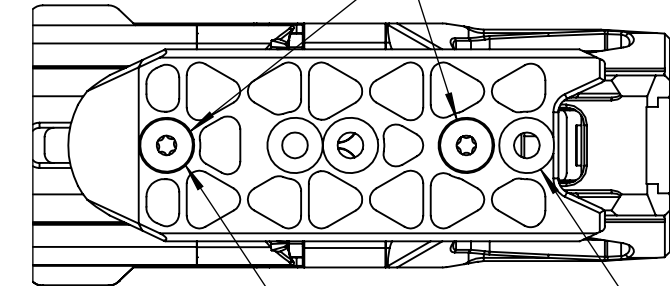
eg. AR10 BIPOD



eg. Q THE FIX BIPOD



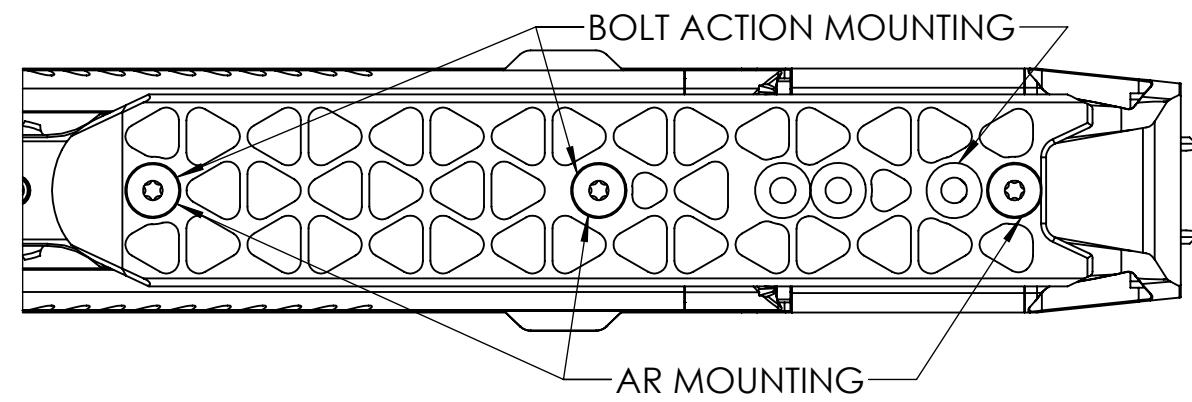
BOLT ACTION MOUNTING



AR MOUNTING

A

A



ONLY COMPATIBLE WITH BLK LBL V3 AR AND V3 BOLT ACTION BIPODS AND HANDGUARDS
MOUNTING HARDWARE INCLUDED

PROPRIETARY AND CONFIDENTIAL
THE INFORMATION CONTAINED IN THIS DRAWING IS THE SOLE PROPERTY OF BLK LBL CORP. ANY REPRODUCTION IN PART OR AS A WHOLE WITHOUT THE WRITTEN PERMISSION OF BLK LBL CORP. IS PROHIBITED.

		UNLESS OTHERWISE SPECIFIED:	NAME	DATE
		DIMENSIONS ARE IN MILLIMETERS	DRAWN	08/27/24
		TOLERANCES:	CHECKED	
		ANGULAR: ± 0.1	ENG APPR.	
		LINEAR:	MFG APPR.	
		X ±0.1	Q.A.	
		X.X ±0.075	COMMENTS:	
		X.XX ±0.05		
		INTERPRET GEOMETRIC TOLERANCING PER:		
		MATERIAL		
		FINISH		
NEXT ASSY	USED ON			
APPLICATION		DO NOT SCALE DRAWING		

BLK LBL

TITLE:
UNIVERSAL ARCA RAIL
CRITICAL DIMENSIONS

SIZE DWG. NO. REV

SCALE: 1:1 WEIGHT: SHEET 1 OF 1

4

3

2

1