

## **AR10 / AR15**

HANDGUARD WITH INTEGRATED BIPOD  
OWNER'S MANUAL

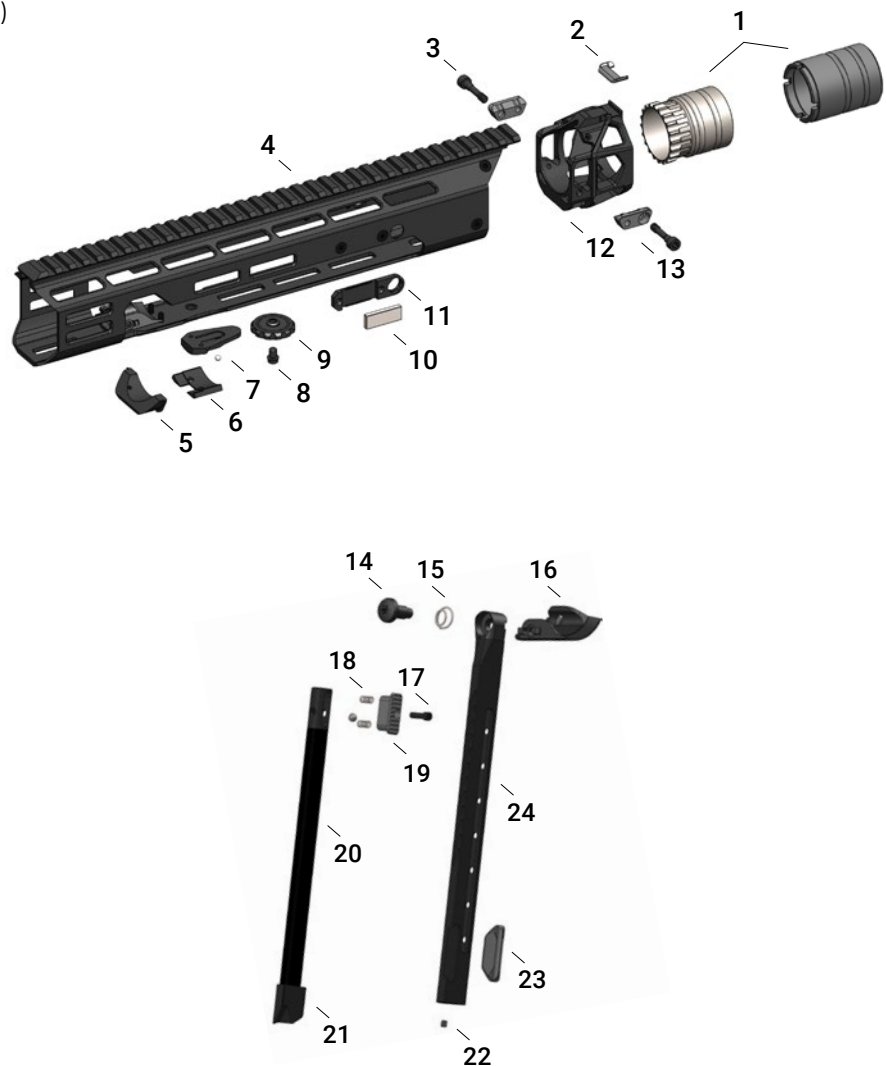
# SPECIFICATIONS

Thank you for your purchase of the BLK LBL Bipod™.

Designed for improved accuracy, lightweight performance, and enhanced stability, the BLK LBL™ Bipod represents the pinnacle of modern bipod design. Built to perform in demanding conditions, it delivers the precision, control, and reliability you expect, so you can focus entirely on your shot.

## MAJOR PARTS (REPLACABLE)

1. AR10, AR15 barrel nut
2. Anti rotation tab
3. Barrel nut wedge screw
4. Handguard frame
5. Forward cup
6. Rear cup
7. Tension plate
8. Tension wheel screw
9. Tension wheel
10. Magnet
11. Magnet retainer
12. Barrel nut clamp
13. Barrel nut wedge
14. Leg joint screw
15. Leg joint spring
16. Bipod cradle
17. Leg button screw
18. Leg button spring
19. Leg button
20. Inner bipod leg
21. Rubber foot
22. Set screw
23. Magnet bar tab
24. Outer bipod leg



# INSTALLATION

---

The BLK LBL bipod should be installed by a qualified gunsmith

## **WARNING!**

1. Reference the NSSF rules of firearms safety <https://www.nssf.org/safety/rules-firearms-safety/>
2. Keep the muzzle of the gun pointed in a safe direction at all times and confirm the gun is unloaded.
3. Remove the existing handguard, gas block, gas tube and barrel nut if applicable. There are multiple resources online that detail the proper removal of each component depending on your specific setup.
4. The BLK LBL handguard ships with the barrel nut inside the barrel nut clamp. Remove the barrel nut from the barrel nut clamp by loosening the barrel nut wedge screws four full turns. The barrel nut wedge screws and barrel nut wedges do not need to be completely removed.
5. Slide the BLK LBL barrel nut supplied over the end of the barrel and thread it on to the upper receiver. Using a standard AR armourers wrench and a torque wrench, tighten the barrel nut to 35-50 lb ft (48-68 Nm).
6. Install the gas block and gas tube.
7. Center the barrel nut wedges in the barrel nut clamp. Slide the BLK LBL handguard over the end of the barrel and onto the barrel nut. Align the top rail on the BLK LBL handguard with the rail on the upper receiver and ensure the anti-rotation tabs go under the top rail of the upper receiver. Make sure the handguard is fully seated.
8. Torque the barrel nut wedge screws to 25 inch-pound (3 Nm).

# HOW TO USE

---

## **TO ENGAGE THE BIPOD:**

Push the MAGNET BAR TAB on the side of the HANDGUARD FRAME down and away from the handguard until the leg is at 90 degrees and locks into place. Repeat with the other side.

## **TO STOW THE BIPOD:**

With your thumb on LEG JOINT SCREW and your hand around the OUTER LEG push down with your thumb while pulling out with your hand. Pull the OUTER LEG outward on the LEG JOINT SCREW until it clears the lock and folds easily to the rear. Stow the legs one at a time to allow the pivot mechanism to align with the handguard. If you have difficulty aligning the legs with the handguard when stowing the legs, loosen the tension mechanism as detailed below.

# HOW TO USE

---

## **ADJUST TENSION:**

The TENSION WHEEL is located behind the bipod pivot. Rotate the TENSION WHEEL to the right to increase tension and to the left to decrease tension.

## **LEG EXTENSION:**

Press down the LEG BUTTON on the inside of each leg and move downwards until the approximate desired height is reached, release button and continue moving until leg button clicks into its locked position.

**CAUTION** - When the bipod legs are extended, the rifle barrel is exposed in the area where the legs are normally stowed. DO NOT place your hands or any other part of your body on or near the barrel, as contact with a hot barrel may result in burns.

# MAINTENANCE

---

## **PROTECTION**

Built with anodized and nitrided parts, the BLK LBL Bipod can withstand most environmental conditions. However only proper care can keep your bipod in good operating condition and maintain its appearance.

## **CLEANING**

Clean as you would your rifle. Never use corrosive cleaning products as these can severely damage the aluminum.

**WARNING** - Do not attempt to tighten any bolts on the bipod frame. These fasteners are permanently secured with Red Loctite® and are not user-serviceable. Attempting to tighten them further may strip the bolts and cause irreversible damage to the bipod.

# WARRANTY

---

At BLK LBL, we stand behind the quality and craftsmanship of our products. Our integrated rifle bipod + handguard systems are backed by a lifetime warranty against defects in materials or workmanship. If your bipod fails under normal use due to a manufacturing or quality issue, simply return it to us and we will repair or replace it at our discretion.

While our warranty doesn't cover damage caused by misuse, abuse, or neglect, we understand that real-world use can be unpredictable. If your bipod takes an unfortunate hit—whether it's dropped, run over, or otherwise damaged—reach out to us. We'll do our best to get it back in working order for a reasonable repair cost.

Our lifetime warranty applies to the BLK LBL Bipod itself and does not cover accessories mounted to it or the firearm to which it is attached.

Please direct all warranty claims to [\*\*info@blk-lbl.ca\*\*](mailto:info@blk-lbl.ca)