

AR10 / AR15

HANDGUARD
OWNER'S MANUAL

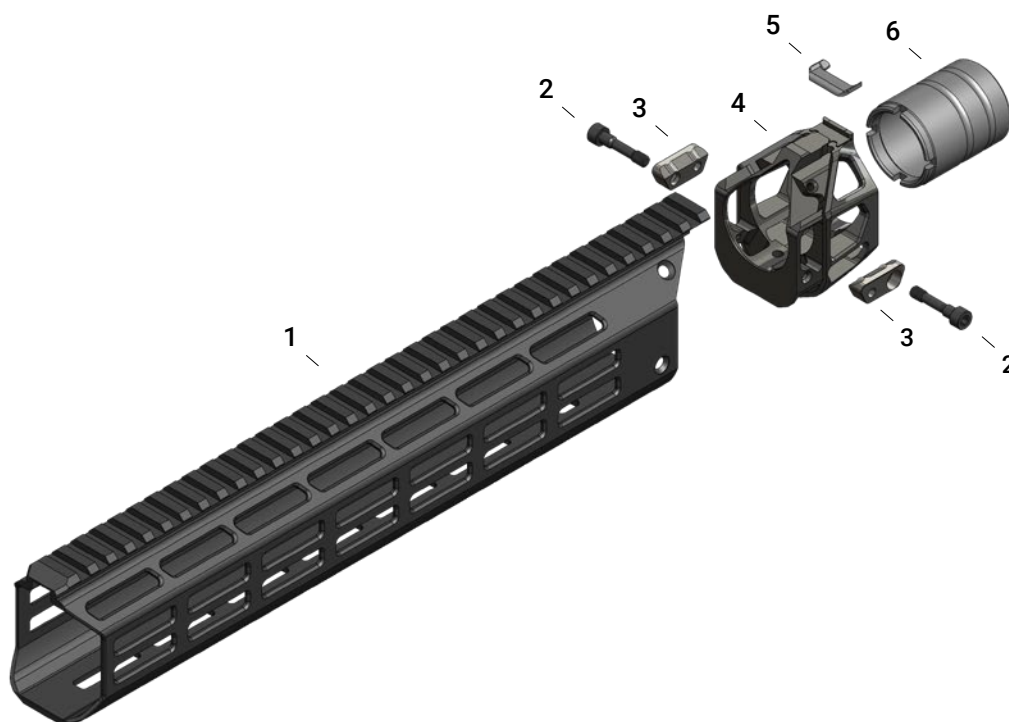
SPECIFICATIONS

Thank you for choosing the BLK LBL™ Handguard.

Crafted from precision-machined aluminum and designed for strength and long-term durability, it performs when it matters most.

MAJOR PARTS (REPLACABLE)

1. Handguard frame
2. Barrel nut wedge screw
3. Barrel nut wedge
4. Barrel nut clamp
5. Anti rotation tab
6. Barrel nut



INSTALLATION

The BLK LBL Bipod should be installed by a qualified gunsmith

WARNING!

1. Reference the NSSF rules of firearms safety <https://www.nssf.org/safety/rules-firearms-safety/>
2. Keep the muzzle of the gun pointed in a safe direction at all times and confirm the gun is unloaded.
3. Remove the existing handguard, gas block, gas tube and barrel nut if applicable. There are multiple resources online that detail the proper removal of each component depending on your specific setup.
4. The BLK LBL handguard ships with the barrel nut inside the barrel nut clamp. Remove the barrel nut from the barrel nut clamp by loosening the barrel nut wedge screws four full turns. The barrel nut wedge screws and barrel nut wedges do not need to be completely removed.
5. Slide the BLK LBL barrel nut supplied over the end of the barrel and thread it on to the upper receiver. Using a standard AR armourers wrench and a torque wrench, tighten the barrel nut to 35-50 lb ft (48-68 Nm).
6. Install the gas block and gas tube.
7. Center the barrel nut wedges in the barrel nut clamp. Slide the BLK LBL handguard over the end of the barrel and onto the barrel nut. Align the top rail on the BLK LBL handguard with the rail on the upper receiver and ensure the anti-rotation tabs go under the top rail of the upper receiver. Make sure the handguard is fully seated.
8. Torque the barrel nut wedge screws to 25 inch-pound (3 Nm).

MAINTENANCE

PROTECTION

Built with anodized and nitrided parts, the BLK LBL handguard can withstand most environmental conditions. However only proper care can keep your handguard in good operating condition and maintain it's appearance.

CLEANING

Clean as you would your rifle. Never use corrosive cleaning products as these can severely damage the aluminum.

WARNING - Do not attempt to tighten any bolts on the handguard frame. These fasteners are permanently secured with Red Loctite® and are not user-serviceable. Attempting to tighten them further may strip the bolts and cause irreversible damage to the handguard.

WARRANTY

At BLK LBL, we stand behind the quality and craftsmanship of our products. Our handguards are backed by a lifetime warranty against defects in materials or workmanship. If your handguard fails under normal use due to a manufacturing or quality issue, simply return it to us and we will repair or replace it at our discretion.

Our lifetime warranty applies to the BLK LBL handguard itself and does not cover accessories mounted to it or the firearm to which it is attached.

Please direct all warranty claims to info@blk-lbl.ca