

Q FIX / MINI FIX

HANDGUARD WITH INTEGRATED BIPOD
OWNER'S MANUAL

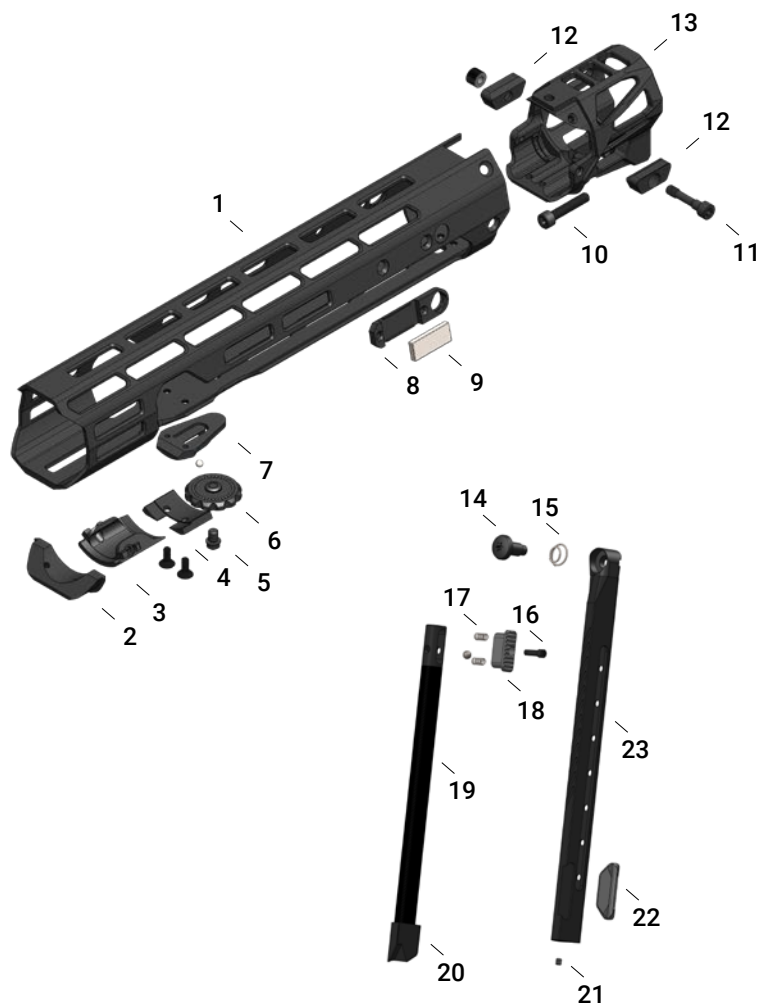
SPECIFICATIONS

Thank you for your purchase of the BLK LBL Bipod™.

Designed for improved accuracy, lightweight performance, and enhanced stability, the BLK LBL™ Bipod represents the pinnacle of modern bipod design. Built to perform in demanding conditions, it delivers the precision, control, and reliability you expect, so you can focus entirely on your shot.

MAJOR PARTS (REPLACABLE)

1. Handguard frame
2. Forward cup
3. Bipod cradle
4. Rear cup
5. Tension wheel screw
6. Tension wheel
7. Tension plate
8. Magnet retainer
9. Magnet
10. Bottom draw screw
11. Barrel nut wedge screw
12. Barrel nut wedge
13. Barrel nut clamp
14. Leg joint screw
15. Leg joint spring
16. Leg button screw
17. Leg button spring
18. Leg button
19. Inner bipod leg
20. Rubber foot
21. Set screw
22. Magnet bar tab
23. Outer bipod leg



INSTALLATION

The BLK LBL Bipod should be installed by a qualified gunsmith

WARNING!

1. Reference the NSSF rules of firearms safety <https://www.nssf.org/safety/rules-firearms-safety/>
2. Keep the muzzle of the gun pointed in a safe direction at all times and confirm the gun is unloaded.
3. Remove the picatinny rail from the top of the action using the instructions in the owners manual. Pay special attention not to lose the spring under the top rail when it is removed.
4. Remove the factory handguard using the instructions in the owners manual.
5. Slide the BLK LBL handguard over the end of the barrel and onto the barrel nut of the rifle. Align the slot on the bottom of the barrel nut clamp with the pinch bolt on the bottom of the barrel nut of the rifle.
6. Install the bottom draw screw supplied with the BLK LBL Handguard through the slot in the bottom of the barrel nut clamp and into the threaded insert on the front of the magwell. Torque the screw to 30 in lbs (3.4 Nm).
7. Tighten the barrel nut wedge screw to 30 in lbs (3.4 Nm).
8. Install the new Picatinny top rail to the upper receiver using the factory screws. Tighten the screws to 45 in lbs (5 Nm).
9. Confirm the bipod does not touch the barrel when deployed and canted.

HOW TO USE

TO ENGAGE THE BIPOD:

Push the MAGNET BAR TAB on the side of the HANDGUARD FRAME down and away from the handguard until the leg is at 90 degrees and locks into place. Repeat with the other side.

TO STOW THE BIPOD:

With your thumb on LEG JOINT SCREW and your hand around the OUTER LEG push down with your thumb while pulling out with your hand. Pull the OUTER LEG outward on the LEG JOINT SCREW until it clears the lock and folds easily to the rear. Stow the legs one at a time to allow the pivot mechanism to align with the handguard. If you have difficulty aligning the legs with the handguard when stowing the legs, loosen the tension mechanism as detailed below.

HOW TO USE

ADJUST TENSION:

The TENSION WHEEL is located behind the bipod pivot. Rotate the TENSION WHEEL to the right to increase tension and to the left to decrease tension.

LEG EXTENSION:

Press down the LEG BUTTON on the inside of each leg and move downwards until the approximate desired height is reached, release button and continue moving until leg button clicks into its locked position.

CAUTION - When the bipod legs are extended, the rifle barrel is exposed in the area where the legs are normally stowed. DO NOT place your hands or any other part of your body on or near the barrel, as contact with a hot barrel may result in burns.

MAINTENANCE

PROTECTION

Built with anodized and nitrided parts, the BLK LBL Bipod can withstand most environmental conditions. However only proper care can keep your bipod in good operating condition and maintain its appearance.

CLEANING

Clean as you would your rifle. Never use corrosive cleaning products as these can severely damage the aluminum.

WARNING - Do not attempt to tighten any bolts on the bipod frame. These fasteners are permanently secured with Red Loctite® and are not user-serviceable. Attempting to tighten them further may strip the bolts and cause irreversible damage to the bipod.

WARRANTY

At BLK LBL, we stand behind the quality and craftsmanship of our products. Our integrated rifle bipod + handguard systems are backed by a lifetime warranty against defects in materials or workmanship. If your bipod fails under normal use due to a manufacturing or quality issue, simply return it to us and we will repair or replace it at our discretion.

While our warranty doesn't cover damage caused by misuse, abuse, or neglect, we understand that real-world use can be unpredictable. If your bipod takes an unfortunate hit—whether it's dropped, run over, or otherwise damaged—reach out to us. We'll do our best to get it back in working order for a reasonable repair cost.

Our lifetime warranty applies to the BLK LBL Bipod itself and does not cover accessories mounted to it or the firearm to which it is attached.

Please direct all warranty claims to [**info@blk-lbl.ca**](mailto:info@blk-lbl.ca)