

# **SIG CROSS-MAGNUM SAWTOOTH**

HANDGUARD WITH INTEGRATED BIPOD  
OWNER'S MANUAL

# SPECIFICATIONS

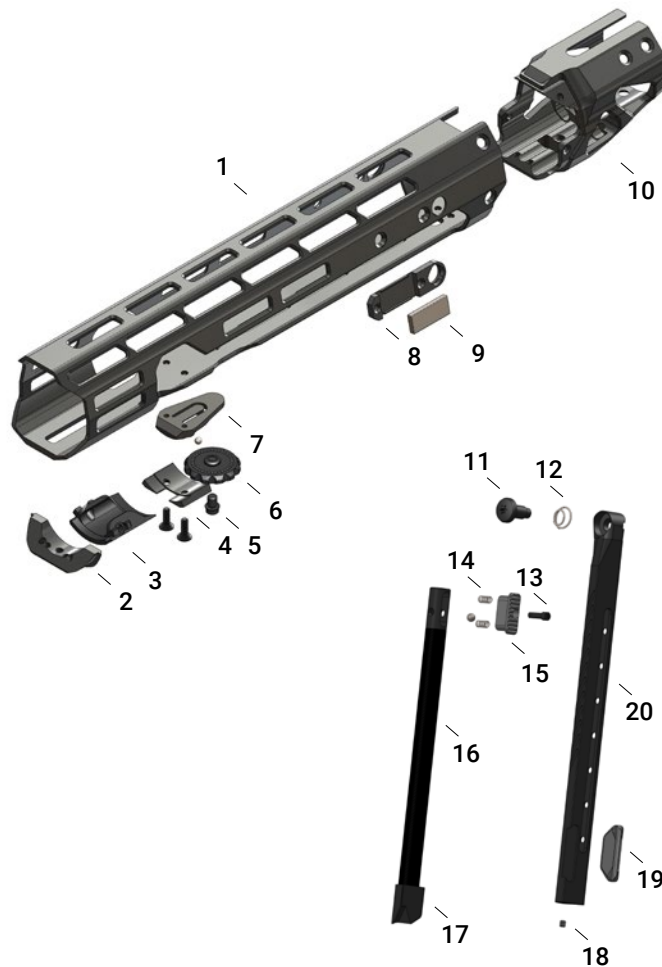
---

**Thank you for your purchase of the BLK LBL Bipod™.**

Designed for improved accuracy, lightweight performance, and enhanced stability, the BLK LBL™ Bipod represents the pinnacle of modern bipod design. Built to perform in demanding conditions, it delivers the precision, control, and reliability you expect, so you can focus entirely on your shot.

## MAJOR PARTS (REPLACABLE)

1. Handguard frame
2. Forward cup
3. Bipod cradle
4. Rear cup
5. Tension wheel screw
6. Tension wheel
7. Tension plate
8. Magnet retainer
9. Magnet
10. Barrel nut clamp
11. Leg joint screw
12. Leg joint spring
13. Leg button screw
14. Leg button spring
15. Leg button
16. Inner bipod leg
17. Rubber foot
18. Set screw
19. Magnet bar tab
20. Outer bipod leg



# INSTALLATION

---

The BLK LBL Bipod should be installed by a qualified gunsmith

**WARNING!**

1. Reference the NSSF rules of firearms safety <https://www.nssf.org/safety/rules-firearms-safety/>
2. Keep the muzzle of the gun pointed in a safe direction at all times and confirm the gun is unloaded.
3. Remove the six screws that attach the factory handguard to the barrel nut. You do not need to remove the Picatinny top rail.
4. Slide the factory handguard over the end of the barrel and off the rifle.
5. Slide the BLK LBL handguard over the end of the barrel and onto the barrel nut and under the end of the picatinny top rail.
6. Ensuring the holes in the handguard are aligned with the holes in the barrel nut reinstall the six screw and torque to 30 in lbs (3.4 Nm).
7. Confirm the bipod does not touch the barrel when deployed and canted.

# HOW TO USE

---

**TO ENGAGE THE BIPOD:**

Push the MAGNET BAR TAB on the side of the HANDGUARD FRAME down and away from the handguard until the leg is at 90 degrees and locks into place. Repeat with the other side.

**TO STOW THE BIPOD:**

With your thumb on LEG JOINT SCREW and your hand around the OUTER LEG push down with your thumb while pulling out with your hand. Pull the OUTER LEG outward on the LEG JOINT SCREW until it clears the lock and folds easily to the rear. Stow the legs one at a time to allow the pivot mechanism to align with the handguard. If you have difficulty aligning the legs with the handguard when stowing the legs, loosen the tension mechanism as detailed below.

**ADJUST TENSION:**

The TENSION WHEEL is located behind the bipod pivot. Rotate the TENSION WHEEL to the right to increase tension and to the left to decrease tension.

# HOW TO USE

---

## **LEG EXTENSION:**

Press down the LEG BUTTON on the inside of each leg and move downwards until the approximate desired height is reached, release button and continue moving until leg button clicks into its locked position.

**CAUTION** - When the bipod legs are extended, the rifle barrel is exposed in the area where the legs are normally stowed. DO NOT place your hands or any other part of your body on or near the barrel, as contact with a hot barrel may result in burns.

# MAINTENANCE

---

## **PROTECTION**

Built with anodized and nitrided parts, the BLK LBL Bipod can withstand most environmental conditions. However only proper care can keep your bipod in good operating condition and maintain its appearance.

## **CLEANING**

Clean as you would your rifle. Never use corrosive cleaning products as these can severely damage the aluminum.

**WARNING** - Do not attempt to tighten any bolts on the bipod frame. These fasteners are permanently secured with Red Loctite® and are not user-serviceable. Attempting to tighten them further may strip the bolts and cause irreversible damage to the bipod.

# WARRANTY

---

At BLK LBL, we stand behind the quality and craftsmanship of our products. Our integrated rifle bipod + handguard systems are backed by a lifetime warranty against defects in materials or workmanship. If your bipod fails under normal use due to a manufacturing or quality issue, simply return it to us and we will repair or replace it at our discretion.

While our warranty doesn't cover damage caused by misuse, abuse, or neglect, we understand that real-world use can be unpredictable. If your bipod takes an unfortunate hit—whether it's dropped, run over, or otherwise damaged—reach out to us. We'll do our best to get it back in working order for a reasonable repair cost.

Our lifetime warranty applies to the BLK LBL Bipod itself and does not cover accessories mounted to it or the firearm to which it is attached.

Please direct all warranty claims to [\*\*info@blk-lbl.ca\*\*](mailto:info@blk-lbl.ca)