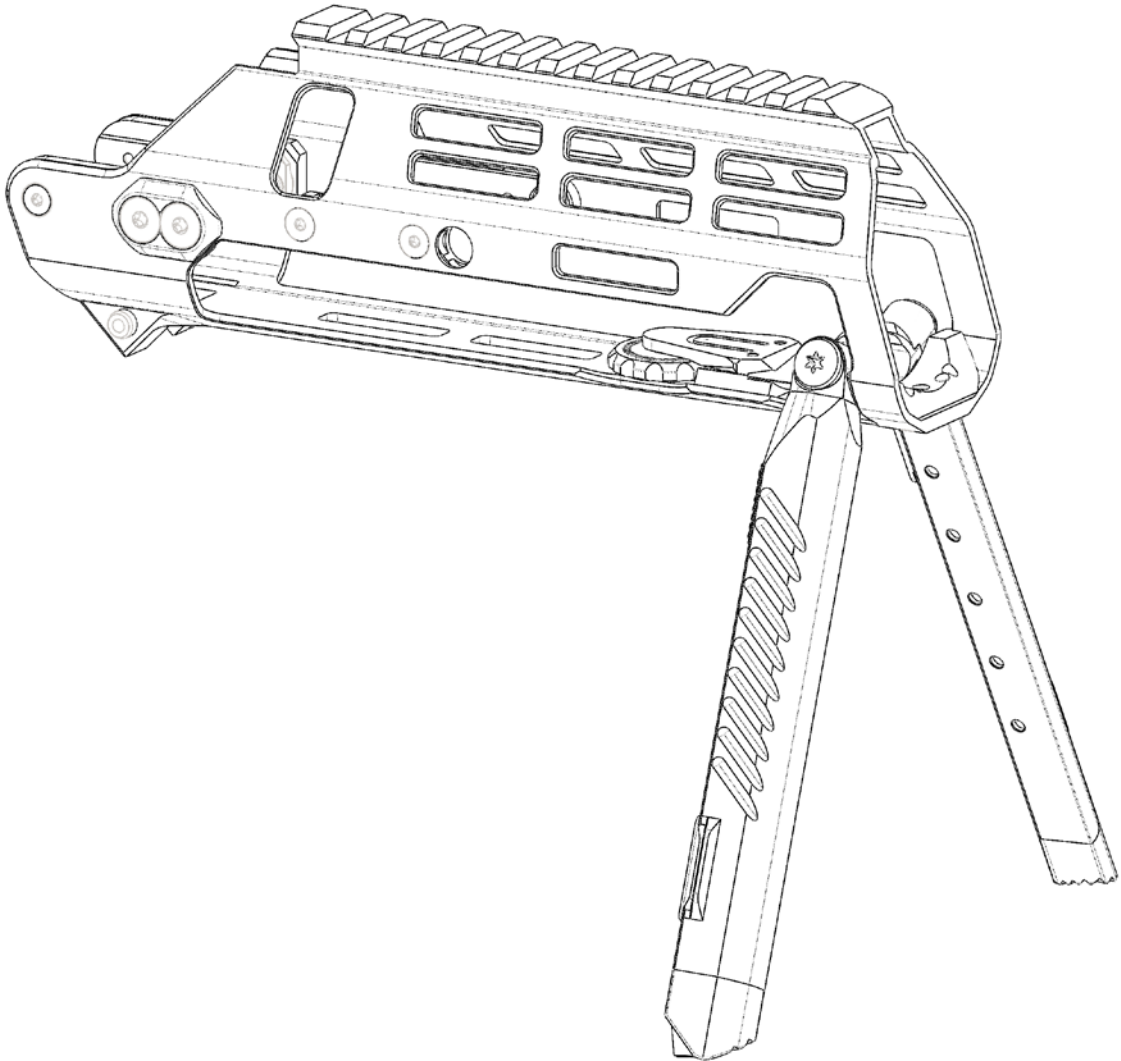


**BLK
LBL**



WLVRN

HANDGUARD WITH INTEGRATED BIPOD
OWNER'S MANUAL

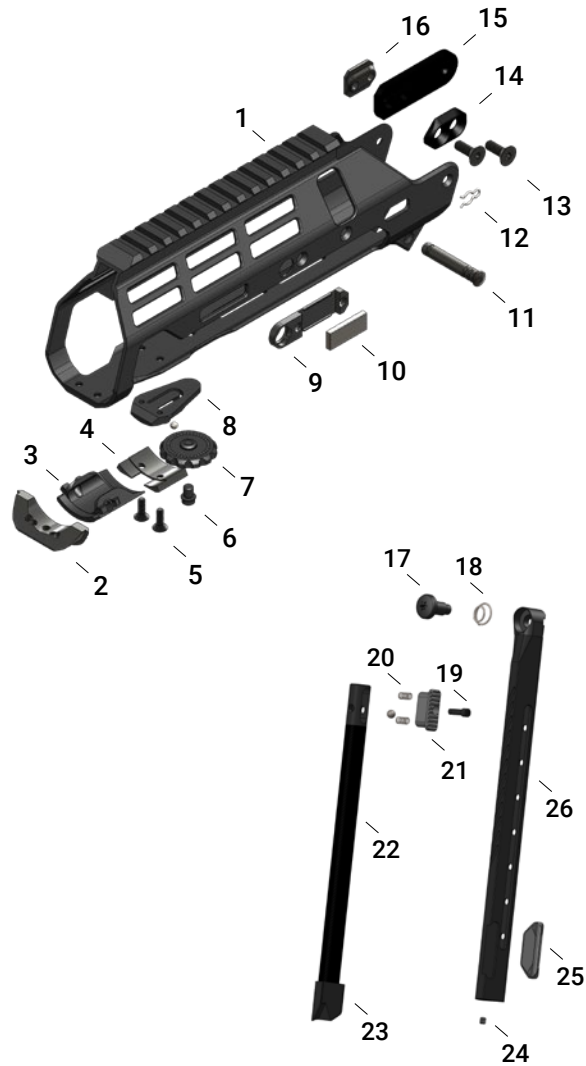
SPECIFICATIONS

Thank you for your purchase of the BLK LBL Bipod™.

Designed for improved accuracy, lightweight performance, and enhanced stability, the BLK LBL™ Bipod represents the pinnacle of modern bipod design. Built to perform in demanding conditions, it delivers the precision, control, and reliability you expect, so you can focus entirely on your shot.

MAJOR PARTS (REPLACABLE)

1. Handguard frame
2. Forward cup
3. Cradle
4. Rear cup
5. Rear cup screws
6. Tension wheel screw
7. Tension wheel
8. Tension plate
9. Magnet retainer
10. Magnet
11. Takedown pin
12. C-clip
13. Connection Screws
14. Connection Washer
15. Connection Shim
16. Connection Nut
17. Leg joint screw
18. Leg joint spring
19. Leg button screw
20. Leg button spring
21. Leg button
22. Inner bipod leg
23. Rubber foot
24. Set screw
25. Magnet bar tab
26. Outer bipod leg



INSTALLATION

The BLK LBL Bipod should be installed by a qualified gunsmith

WARNING!

1. Reference the NSSF rules of firearms safety <https://www.nssf.org/safety/rules-firearms-safety/>
2. Keep the muzzle of the gun pointed in a safe direction at all times and confirm the gun is unloaded.
3. Remove the factory handguard using the instructions found in the Desert Tech WLVRN or MDRX Manual.
4. Slide the BLK LBL Handguard over the end of the barrel and line up the top picatinny rail on the handguard with the picatinny rail on the top of the rifle receiver.
5. Align the Connection Shim and Connection Nut assembly with the groove on the receiver on both sides and slide the handguard to the rear until it is fully seated and the takedown pin is lined up with the hole in the receiver. The connection screws do not need to be removed from the connection nut they just need to be loose enough for the connection nut to pass to the inside of the of the receiver.
6. With the handguard fully seated into the grooves push the takedown pin through the hole in the rifle receiver until it is fully engaged and flush on both sides. Tighten the connection screws to 30 in lbs. Do not overtighten.
7. Confirm that the bipod legs do not contact the barrel assembly when stowed or open.

HOW TO USE

TO ENGAGE THE BIPOD:

Push the MAGNET BAR TAB on the side of the HANDGUARD FRAME down and away from the handguard until the leg is at 90 degrees and locks into place. Repeat with the other side.

TO STOW THE BIPOD:

With your thumb on LEG JOINT SCREW and your hand around the OUTER LEG push down with your thumb while pulling out with your hand. Pull the OUTER LEG outward on the LEG JOINT SCREW until it clears the lock and folds easily to the rear. Stow the legs one at a time to allow the pivot mechanism to align with the handguard. If you have difficulty aligning the legs with the handguard when stowing the legs, loosen the tension mechanism as detailed below.

HOW TO USE

ADJUST TENSION:

The TENSION WHEEL is located behind the bipod pivot. Rotate the TENSION WHEEL to the right to increase tension and to the left to decrease tension.

LEG EXTENSION:

Press down the LEG BUTTON on the inside of each leg and move downwards until the approximate desired height is reached, release button and continue moving until leg button clicks into its locked position.

CAUTION - When the bipod legs are extended, the rifle barrel is exposed in the area where the legs are normally stowed. DO NOT place your hands or any other part of your body on or near the barrel, as contact with a hot barrel may result in burns.

MAINTENANCE

PROTECTION

Built with anodized and nitrided parts, the BLK LBL Bipod can withstand most environmental conditions. However only proper care can keep your bipod in good operating condition and maintain its appearance.

CLEANING

Clean as you would your rifle. Never use corrosive cleaning products as these can severely damage the aluminum.

WARNING - Do not attempt to tighten any bolts on the bipod frame. These fasteners are permanently secured with Red Loctite® and are not user-serviceable. Attempting to tighten them further may strip the bolts and cause irreversible damage to the bipod.

WARRANTY

At BLK LBL, we stand behind the quality and craftsmanship of our products. Our integrated rifle bipod + handguard systems are backed by a lifetime warranty against defects in materials or workmanship. If your bipod fails under normal use due to a manufacturing or quality issue, simply return it to us and we will repair or replace it at our discretion.

While our warranty doesn't cover damage caused by misuse, abuse, or neglect, we understand that real-world use can be unpredictable. If your bipod takes an unfortunate hit—whether it's dropped, run over, or otherwise damaged—reach out to us. We'll do our best to get it back in working order for a reasonable repair cost.

Our lifetime warranty applies to the BLK LBL Bipod itself and does not cover accessories mounted to it or the firearm to which it is attached.

Please direct all warranty claims to [**info@blk-lbl.ca**](mailto:info@blk-lbl.ca)