

# **WLVRN**

HANDGUARD  
OWNER'S MANUAL

# SPECIFICATIONS

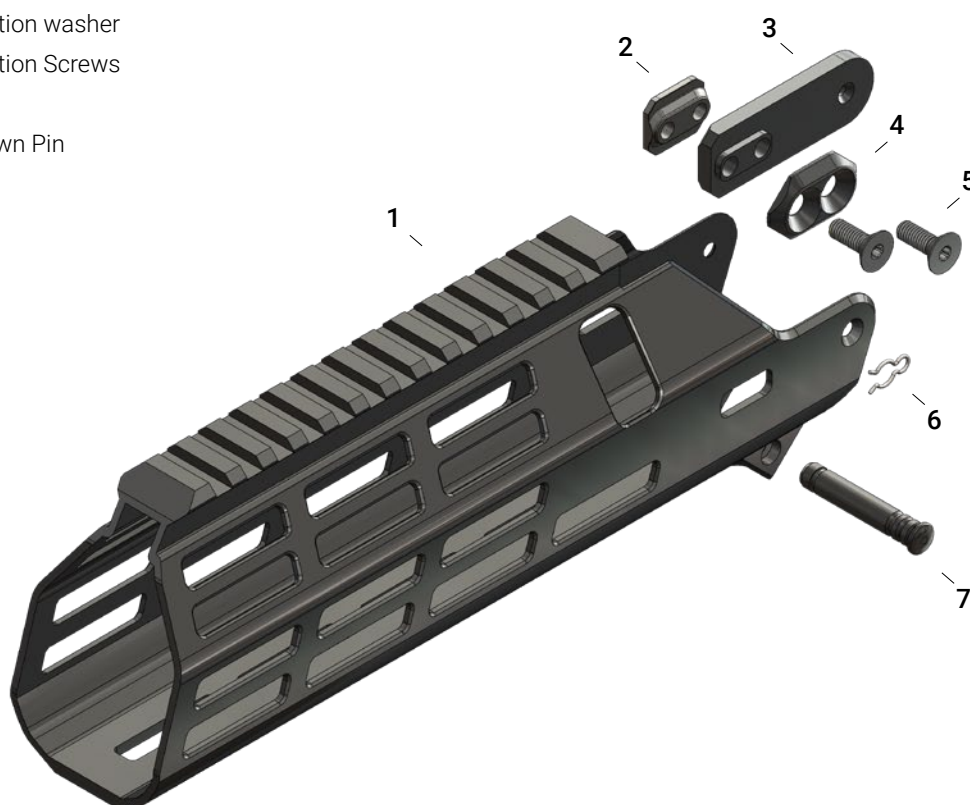
---

Thank you for choosing the BLK LBL™ Handguard.

Crafted from precision-machined aluminum and designed for strength and long-term durability, it performs when it matters most.

## MAJOR PARTS (REPLACABLE)

1. Handguard frame
2. Connection Nut
3. Connection Shim
4. Connection washer
5. Connection Screws
6. C-clip
7. Takedown Pin



# INSTALLATION

---

The BLK LBL Bipod should be installed by a qualified gunsmith

## **WARNING!**

1. Reference the NSSF rules of firearms safety <https://www.nssf.org/safety/rules-firearms-safety/>
2. Keep the muzzle of the gun pointed in a safe direction at all times and confirm the gun is unloaded.
3. Remove the factory handguard using the instructions found in the Desert Tech WLVRN or MDRX Manual.
4. Slide the BLK LBL Handguard over the end of the barrel and line up the top picatinny rail on the handguard with the picatinny rail on the top of the rifle receiver.
5. Align the Connection Shim and Connection Nut assembly with the groove on the receiver on both sides and slide the handguard to the rear until it is fully seated and the takedown pin is lined up with the hole in the receiver. The connection screws do not need to be removed from the connection nut they just need to be loose enough for the connection nut to pass to the inside of the of the receiver.
6. With the handguard fully seated into the grooves push the takedown pin through the hole in the rifle receiver until it is fully engaged and flush on both sides. Tighten the connection screws to 30 in lbs. Do not overtighten.

# MAINTENANCE

---

## **PROTECTION**

Built with anodized and nitrided parts, the BLK LBL handguard can withstand most environmental conditions. However only proper care can keep your handguard in good operating condition and maintain it's appearance.

## **CLEANING**

Clean as you would your rifle. Never use corrosive cleaning products as these can severely damage the aluminum.

**WARNING** - Do not attempt to tighten any bolts on the handguard frame. These fasteners are permanently secured with Red Loctite® and are not user-serviceable. Attempting to tighten them further may strip the bolts and cause irreversible damage to the handguard.

# WARRANTY

---

At BLK LBL, we stand behind the quality and craftsmanship of our products. Our handguards are backed by a lifetime warranty against defects in materials or workmanship. If your handguard fails under normal use due to a manufacturing or quality issue, simply return it to us and we will repair or replace it at our discretion.

Our lifetime warranty applies to the BLK LBL handguard itself and does not cover accessories mounted to it or the firearm to which it is attached.

Please direct all warranty claims to [info@blk-lbl.ca](mailto:info@blk-lbl.ca)