

IWI X95

HANDGUARD
OWNER'S MANUAL

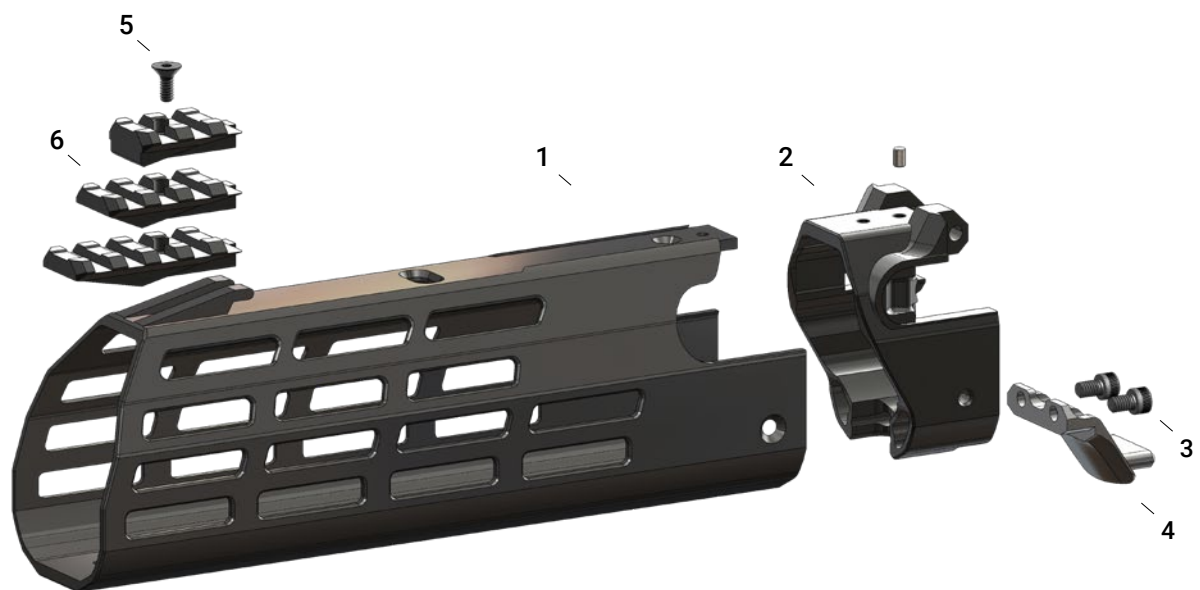
SPECIFICATIONS

Thank you for choosing the BLK LBL™ Handguard.

Crafted from precision-machined aluminum and designed for strength and long-term durability, it performs when it matters most.

MAJOR PARTS (REPLACABLE)

1. Handguard frame
2. Coupler
3. Brace screws
4. Brace
5. Top rail screw (optional accessory)
6. Top rail (optional accessory)



INSTALLATION

The BLK LBL Bipod should be installed by a qualified gunsmith

WARNING!

1. Reference the NSSF rules of firearms safety <https://www.nssf.org/safety/rules-firearms-safety/>
2. Keep the muzzle of the gun pointed in a safe direction at all times and confirm the gun is unloaded.
3. Remove the existing handguard using the instructions in the IWI X95 owners manual.
4. Remove the plastic grommet that connected to the factory handguard from the barrel.
5. Slide the BLK LBL handguard over the end of the barrel and onto the rifle using the guiderails on the bottom of the receiver top rail and the top of the handguard as alignment guides until the "hooks" on the top of the handguard frame engage the slot in the end of the rifle top rail. The rear brace on the bottom of the BLK LBL handguard will fit into the slot on the bottom of the rifle receiver.
6. Re-install the hand grip assembly ensuring the tab on the forward part of the handgrip inserts into the recess on the rear brace.
8. Re-install 3mm fastening screw using Loctite 242 or equivalent.

MAINTENANCE

PROTECTION

Built with anodized and nitrided parts, the BLK LBL handguard can withstand most environmental conditions. However only proper care can keep your handguard in good operating condition and maintain it's appearance.

CLEANING

Clean as you would your rifle. Never use corrosive cleaning products as these can severely damage the aluminum.

WARNING - Do not attempt to tighten any bolts on the handguard frame. These fasteners are permanently secured with Red Loctite® and are not user-serviceable. Attempting to tighten them further may strip the bolts and cause irreversible damage to the handguard.

WARRANTY

At BLK LBL, we stand behind the quality and craftsmanship of our products. Our handguards are backed by a lifetime warranty against defects in materials or workmanship. If your handguard fails under normal use due to a manufacturing or quality issue, simply return it to us and we will repair or replace it at our discretion.

Our lifetime warranty applies to the BLK LBL handguard itself and does not cover accessories mounted to it or the firearm to which it is attached.

Please direct all warranty claims to info@blk-lbl.ca