

4

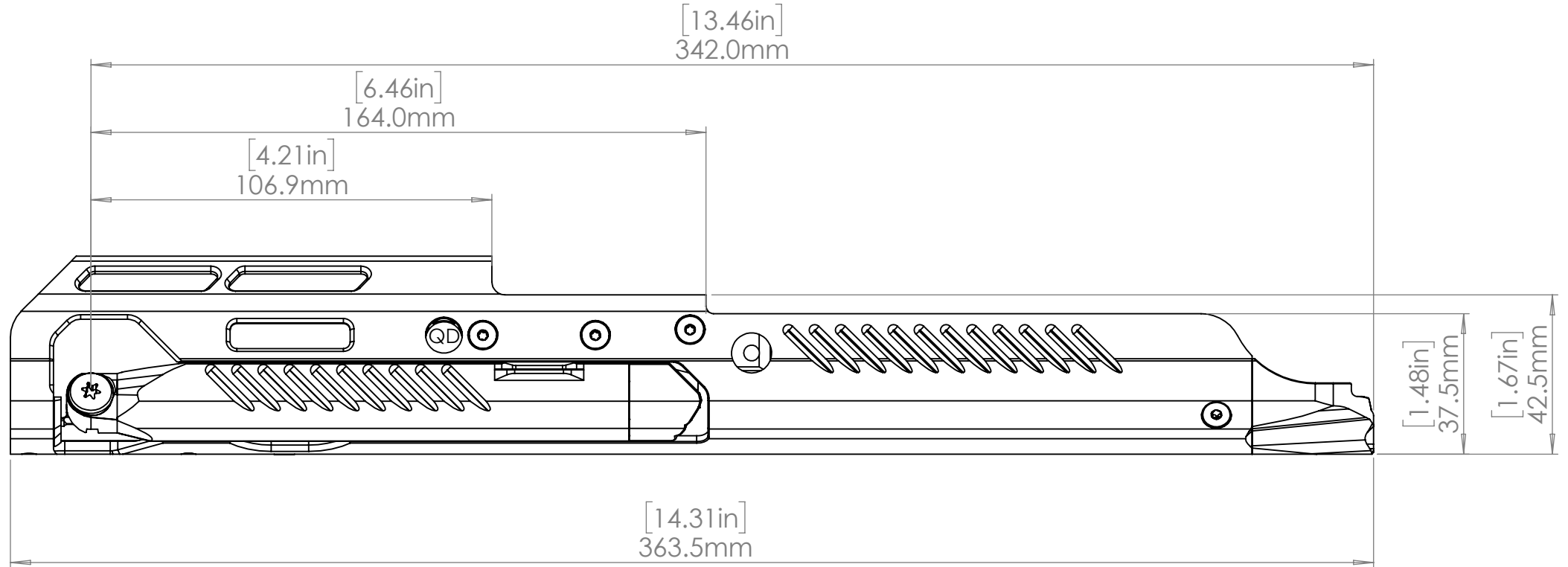
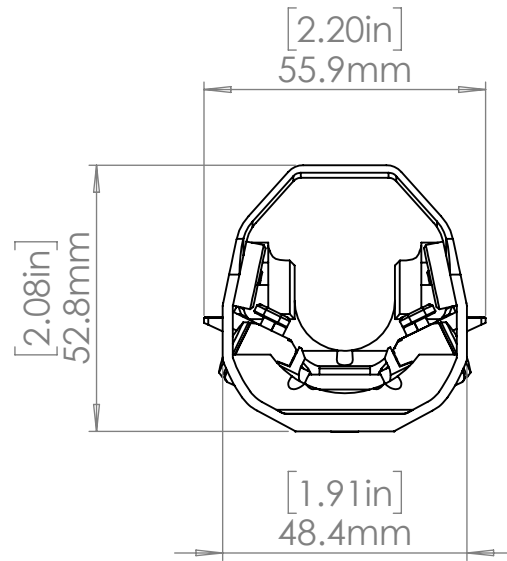
3

2

1

B

B



A

A

FN SCAR BIPOD

PROPRIETARY AND CONFIDENTIAL
 THE INFORMATION CONTAINED IN THIS
 DRAWING IS THE SOLE PROPERTY OF
 BLK LBL CORP. ANY
 REPRODUCTION IN PART OR AS A WHOLE
 WITHOUT THE WRITTEN PERMISSION OF
 BLK LBL CORP. IS PROHIBITED.

		UNLESS OTHERWISE SPECIFIED:	NAME	DATE
		DIMENSIONS ARE IN MILLIMETERS	DRAWN	04/07/26
		TOLERANCES:	CHECKED	
		ANGULAR: ± 0.1	ENG APPR.	
		LINEAR:	MFG APPR.	
		X ±0.1	Q.A.	
		X.X ±0.075	COMMENTS:	
		X.XX ±0.05		
		INTERPRET GEOMETRIC		
		TOLERANCING PER:		
		MATERIAL		
		FINISH		
NEXT ASSY	USED ON			
APPLICATION		DO NOT SCALE DRAWING		

BLK LBL

TITLE:
**OVERALL LENGTH, WIDTH,
 AND HEIGHT DIMENSIONS**

SIZE DWG. NO. REV

SCALE: 2:3 459 GRAMS SHEET 1 OF 2

4

3

2

1

4

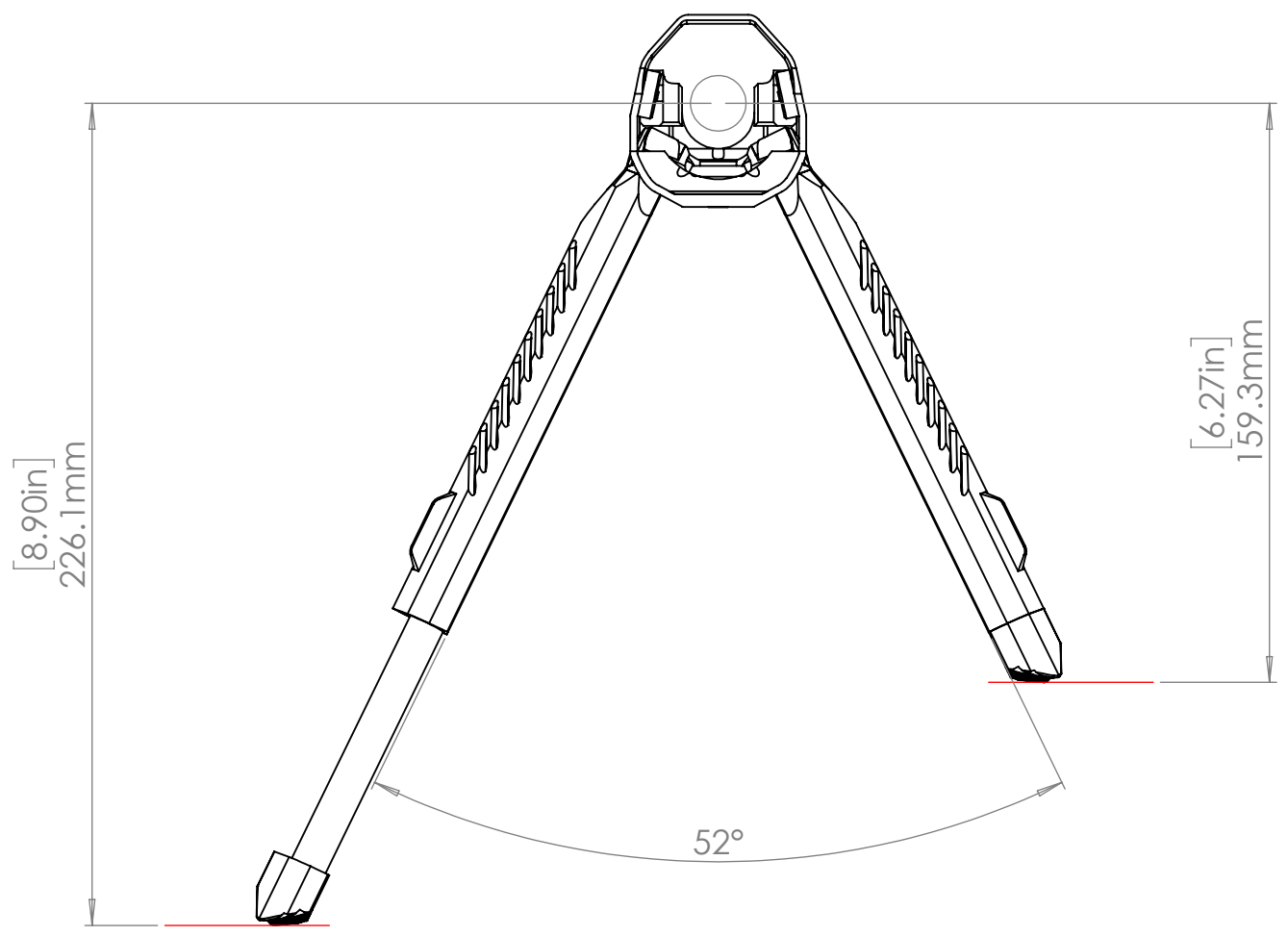
3

2

1

B

B



A

A

FN SCAR BIPOD

PROPRIETARY AND CONFIDENTIAL
 THE INFORMATION CONTAINED IN THIS
 DRAWING IS THE SOLE PROPERTY OF
 BLK LBL CORP. ANY
 REPRODUCTION IN PART OR AS A WHOLE
 WITHOUT THE WRITTEN PERMISSION OF
 BLK LBL CORP. IS PROHIBITED.

		UNLESS OTHERWISE SPECIFIED:		NAME	DATE	BLK LBL	
		DIMENSIONS ARE IN MILLIMETERS		DRAWN	04/07/26		
		TOLERANCES:		CHECKED		TITLE: DEPLOYED LEG MEASUREMENTS	
		ANGULAR: ± 0.1		ENG APPR.			
		LINEAR:		MFG APPR.		SIZE DWG. NO. REV	
		X ±0.1		Q.A.			
		X.X ±0.075		COMMENTS:		SCALE: 1:2 SHEET 2 OF 2	
		X.XX ±0.05					
		INTERPRET GEOMETRIC TOLERANCING PER:					
		MATERIAL					
		FINISH					
NEXT ASSY	USED ON						
APPLICATION		DO NOT SCALE DRAWING					